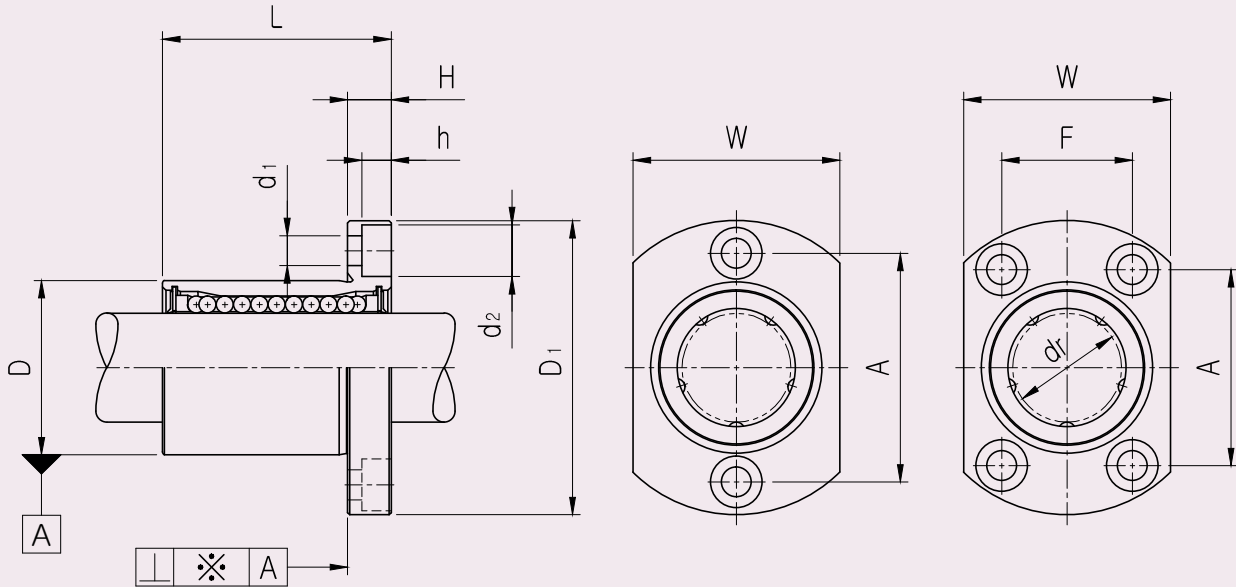


SUS Series Asian Standard Linear Bushing (LM-SUS)

**LMH** FLANGED LINEAR BUSHING-SUS SERIES

● Drawing



● Part Number Notation

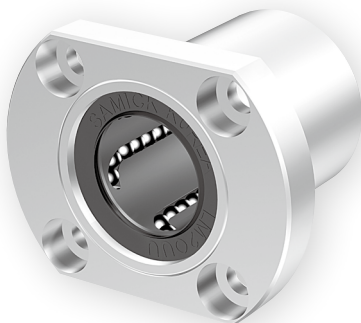
**LMH 20 UU - SUS A**

- SAMICK Oval Flanged Linear Bushing
- Nominal Shaft Diameter
- Seal

Blank	No Seal
UU	Both Side Seal
U	One Side Seal

- Outer-sleeves : Stainless Steel
- BALL : Stainless Steel
- Retainer (material)

Blank	Resin Retainer(Standard)
A	Steel Retainer(High temperature)



## SUS Series Asian Standard Linear Bushing (LM-SUS)

**LMH FLANGED LINEAR BUSHING-SUS SERIES**

PART NUMBER		WORKING BORE DIAMETER		D		L		D <sub>1</sub>		H	W	A	F	d <sub>1</sub>	d <sub>2</sub>	h	SQUARENESSE ※(μm)*	BASIC LOAD RATING(N)** <sup>1</sup>		NO. OF BALL ROW	WEIGHT (gf)** <sup>2</sup>	
Resin	Steel	dr. (mm)	CLEAR NCE (mm)	mm	CLEAR NCE (mm)	mm	CLEAR NCE (mm)	mm	CLEAR NCE (mm)									DYNAMIC (C)** <sup>1</sup>	STATIC (Co)			
LMH6UU-SUS	LMH6-SUSA	6	0 -0.09	12	0	19	0 -0.2	28	0 -0.2	5	18	20	-	3.4	6.5	3.3	12	200	260	4	26.5	
LMH8UU-SUS	LMH8-SUSA	8		15	-0.011	24		32		5	21	24	-	3.4	6.5	3.3	12	260	400	4	40	
LMH10UU-SUS	LMH10-SUSA	10		19	29	40		6		25	29	-	4.5	8.0	4.4	12	370	540	4	78		
LMH12UU-SUS	LMH12-SUSA	12		21	0	30		-0.2		42	6	27	32	-	4.5	8.0	4.4	12	410	590	4	76
LMH13UU-SUS	LMH13-SUSA	13		23	-0.013	32		43		6	29	33	-	4.5	8.0	4.4	12	500	770	4	94	
LMH16UU-SUS	LMH16-SUSA	16		28	37	48		6		34	31	22	4.5	8.0	4.4	12	770	1170	5	134		
LMH20UU-SUS	LMH20-SUSA	20		0	32	0		42		54	8	38	36	24	5.5	9.5	5.4	15	860	1370	5	180
LMH25UU-SUS	LMH25-SUSA	25	-0.010	40	-0.016	59	0	62	8	46	40	32	5.5	9.5	5.4	15	980	1560	6	340		

- ★1 Dynamic load rating is based on the nominal life of 50km  
In case of 100km, C on the table need to be divided by 1.26  
Ex) 50km basic dynamic load rating(C) of LMH12 = 410N  
100km basic dynamic load rating(C<sub>100</sub>) of LMH12 = 410/1.26 = 325.40N
- ★2 Based on the weight of resin retainer
- ★3 Main unit : mm
- ★4 1N ≙ 0.102kgf