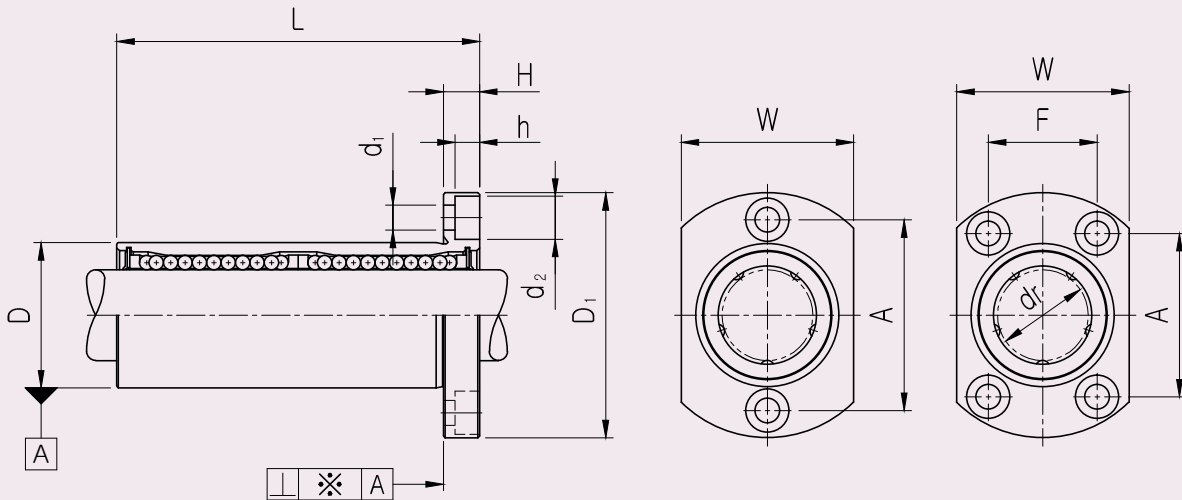


SUS Series Asian Standard Linear Bushing (LM-SUS)

**LMH\_L** FLANGED LONG LINEAR BUSHING-SUS SERIES

● Drawing



● Part Number Notation

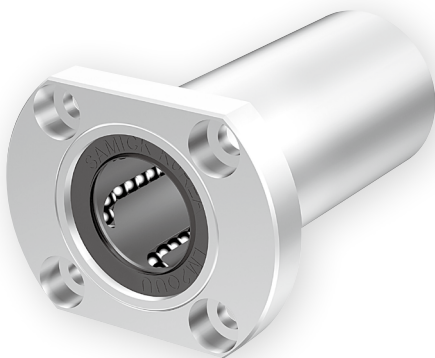
**LMH 20 L UU - SUS A**

- SAMICK Oval Flanged Linear Bushing
- Nominal Shaft Diameter
- Linear Bushing Long Type (for high load)
- Seal

|       |                |
|-------|----------------|
| Blank | No Seal        |
| UU    | Both Side Seal |
| U     | One Side Seal  |

- Outer-sleeves : Stainless Steel
- BALL : Stainless Steel
- Retainer (material)

|       |                                  |
|-------|----------------------------------|
| Blank | Resin Retainer(Standard)         |
| A     | Steel Retainer(High temperature) |



## SUS Series Asian Standard Linear Bushing (LM-SUS)

**LMH\_L FLANGED LONG LINEAR BUSHING-SUS SERIES**

| PART NUMBER  |             | WORKING BORE DIAMETER |                | D  |                | L      |                | D <sub>1</sub> |                | H          | W  | A  | F  | d <sub>1</sub> | d <sub>2</sub> | h   | SQUAR ENESS<br>※(μm)*     | BASIC LOAD RATING(N) <sup>*4</sup> |      | NO. OF BALL ROW | WEIGHT (gf) <sup>*2</sup> |
|--------------|-------------|-----------------------|----------------|----|----------------|--------|----------------|----------------|----------------|------------|----|----|----|----------------|----------------|-----|---------------------------|------------------------------------|------|-----------------|---------------------------|
| Resin        | Steel       | dr. (mm)              | CLEAR NCE (mm) | mm | CLEAR NCE (mm) | mm     | CLEAR NCE (mm) | mm             | CLEAR NCE (mm) |            |    |    |    |                |                |     | DYNAMIC (C) <sup>*1</sup> | STATIC (Co)                        |      |                 |                           |
| LMH6LUU-SUS  | LMH6L-SUSA  | 6                     | 0<br>-0.010    | 12 | 0              | 35     | 0<br>-0.3      | 28             | 0<br>-0.2      | 5          | 18 | 20 | -  | 3.4            | 6.5            | 3.3 | 15                        | 320                                | 520  | 4               | 31                        |
| LMH8LUU-SUS  | LMH8L-SUSA  | 8                     |                | 15 | -0.013         | 45     |                | 32             |                | 5          | 21 | 24 | -  | 3.4            | 6.5            | 3.3 | 15                        | 430                                | 780  | 4               | 53                        |
| LMH10LUU-SUS | LMH10L-SUSA | 10                    |                | 19 |                | 55     |                | 40             |                | 6          | 25 | 29 | -  | 4.5            | 8.0            | 4.4 | 15                        | 580                                | 1100 | 4               | 105                       |
| LMH12LUU-SUS | LMH12L-SUSA | 12                    |                | 21 | 0              | 57     |                | 42             |                | 6          | 27 | 32 | -  | 4.5            | 8.0            | 4.4 | 15                        | 650                                | 1200 | 4               | 100                       |
| LMH13LUU-SUS | LMH13L-SUSA | 13                    |                | 23 | -0.016         | 61     |                | 43             |                | 6          | 29 | 33 | -  | 4.5            | 8.0            | 4.4 | 15                        | 810                                | 1570 | 4               | 130                       |
| LMH16LUU-SUS | LMH16L-SUSA | 16                    |                | 28 |                | 70     |                | 48             |                | 6          | 34 | 31 | 22 | 4.5            | 8.0            | 4.4 | 15                        | 1230                               | 2350 | 5               | 187                       |
| LMH20LUU-SUS | LMH20L-SUSA | 20                    |                | 32 | 0              | 80     |                | 54             |                | 8          | 38 | 36 | 24 | 5.5            | 9.5            | 5.4 | 20                        | 1400                               | 2750 | 5               | 260                       |
| LMH25LUU-SUS | LMH25L-SUSA | 25                    |                | 40 | -0.012         | -0.019 |                | 112            |                | 0<br>-0.04 | 62 | 8  | 46 | 40             | 32             | 5.5 | 9.5                       | 5.4                                | 20   | 1560            | 3140                      |

- ★1 Dynamic load rating is based on the nominal life of 50km  
In case of 100km, C on the table need to be divided by 1.26  
Ex) 50km basic dynamic load rating(C) of LMH12L = 650N  
100km basic dynamic load rating(C<sub>100</sub>) of LMH12L = 650/1.26 = 515.87N
- ★2 Based on the weight of resin retainer
- ★3 Main unit : mm
- ★4 1N ≒ 0.102kgf