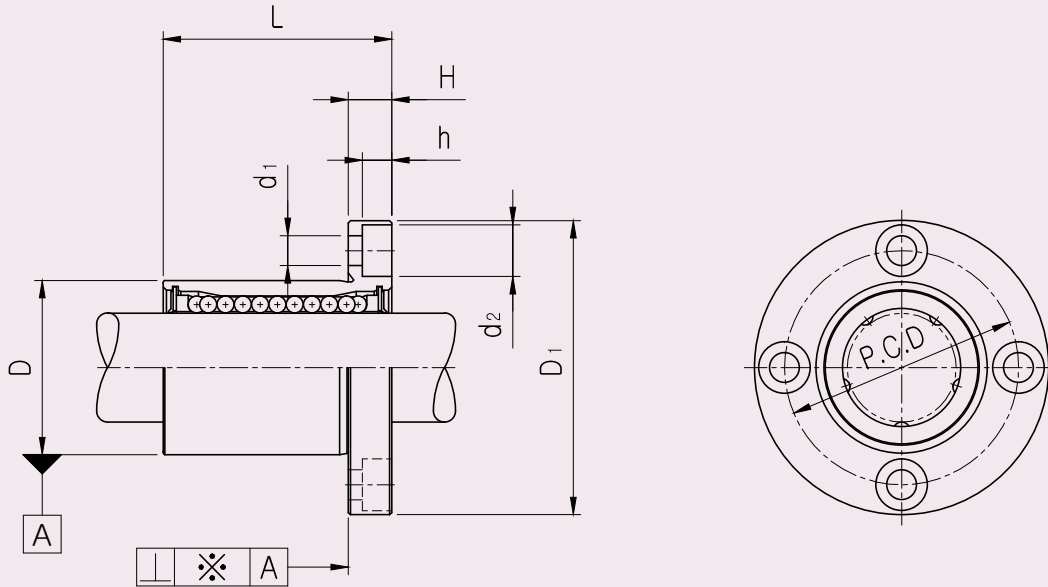


European Standard Linear Bushing (LME)

LMEF FLANGED LINEAR BUSHING

● Drawing



● Part Number Notation

LMEF 20 UU - A N S



- European Standard Samick Circular Flanged Linear Bushing
- Nominal Shaft Diameter
- Seal

| | |
|-------|----------------|
| Blank | No Seal |
| UU | Both Side Seal |
| U | One Side Seal |

- Retainer (material)

| | |
|-------|--|
| Blank | Resin Retainer(Standard) |
| A | Steel Retainer(High temperature) ^{★1} |

- Outer-sleeves (by corrosion resistance)

| | |
|-------|----------------------------|
| Blank | Standard(SUJ2) |
| N | Electroless nickel plating |
| R | Raydent treatment |

- Ball type (material)

| | |
|-------|--|
| Blank | High carbon bearing steel ball(Standard) |
| S | Stainless steel ball |

★1 Steel retainer applicable from LMEF8 to LMEF25 only

European Standard Linear Bushing (LME)

LMEF FLANGED LINEAR BUSHING

| PART NUMBER | | WORKING BORE DIAMETER | | D | | L | | B | | H | PCD | d ₁ | d ₂ | h | SQUAR ENESS *(mm)* | BASIC LOAD RATING(N) | | NO. OF BALL ROW | WEIGHT (gf) ^{*2} |
|-------------|----------|-----------------------|------------------|----|----------------|-----|----------------|-----|----------------|----|-----|----------------|----------------|------|-----------------------|---------------------------|-------------|-----------------|---------------------------|
| Resin | Steel | dr. (mm) | CLEAR NCE (mm) | mm | CLEAR NCE (mm) | mm | CLEAR NCE (mm) | mm | CLEAR NCE (mm) | | | | | | | DYNAMIC (C) ^{*1} | STATIC (Co) | | |
| LMEF8UU | LMEF8-A | 8 | +0.008 0 | 16 | 0 -0.008 | 25 | | 32 | | 5 | 24 | 3.4 | 6.5 | 3.3 | 12 | 260 | 400 | 4 | 44 |
| LMEF12UU | LMEF12-A | 12 | | 22 | 0 -0.009 | 32 | 0 -0.2 | 42 | | 6 | 32 | 4.5 | 8 | 4.4 | 12 | 410 | 590 | 4 | 86 |
| LMEF16UU | LMEF16-A | 16 | +0.009 -0.001 | 26 | | 36 | | 46 | 0 -0.2 | 6 | 36 | 4.5 | 8 | 4.4 | 12 | 770 | 1170 | 5 | 120 |
| LMEF20UU | LMEF20-A | 20 | | 32 | | 45 | | 54 | | 8 | 43 | 5.5 | 9.5 | 5.4 | 15 | 860 | 1370 | 5 | 184 |
| LMEF25UU | LMEF25-A | 25 | +0.011 -0.001 | 40 | 0 -0.011 | 58 | | 62 | | 8 | 51 | 5.5 | 9.5 | 5.4 | 15 | 980 | 1560 | 6 | 335 |
| LMEF30UU | | 30 | | 47 | | 68 | 0 -0.3 | 76 | | 10 | 62 | 6.6 | 11 | 6.5 | 15 | 1560 | 2740 | 6 | 545 |
| LMEF40UU | | 40 | | 62 | 0 -0.013 | 80 | | 98 | | 13 | 80 | 9 | 14 | 8.6 | 20 | 2150 | 4010 | 6 | 1185 |
| LMEF50UU | | 50 | +0.013 -0.002 | 75 | | 100 | | 112 | 0 -0.3 | 13 | 94 | 9 | 14 | 8.6 | 20 | 3820 | 7930 | 6 | 1730 |
| LMEF60UU | | 60 | | 90 | 0 -0.015 | 125 | 0 -0.4 | 134 | | 18 | 112 | 11 | 17.5 | 10.8 | 25 | 4700 | 9990 | 6 | 3180 |

- ★1 Dynamic load rating is based on the nominal life of 50km
In case of 100km, C on the table need to be divided by 1.26
Ex) 50km basic dynamic load rating(C) of LMEF12 = 410N
100km basic dynamic load rating(C₁₀₀) of LMEF12 = 410/1.26 = 325.40N
- ★2 Based on the weight of resin retainer
- ★3 Main unit : mm
- ★4 1N ≅ 0.102kgf