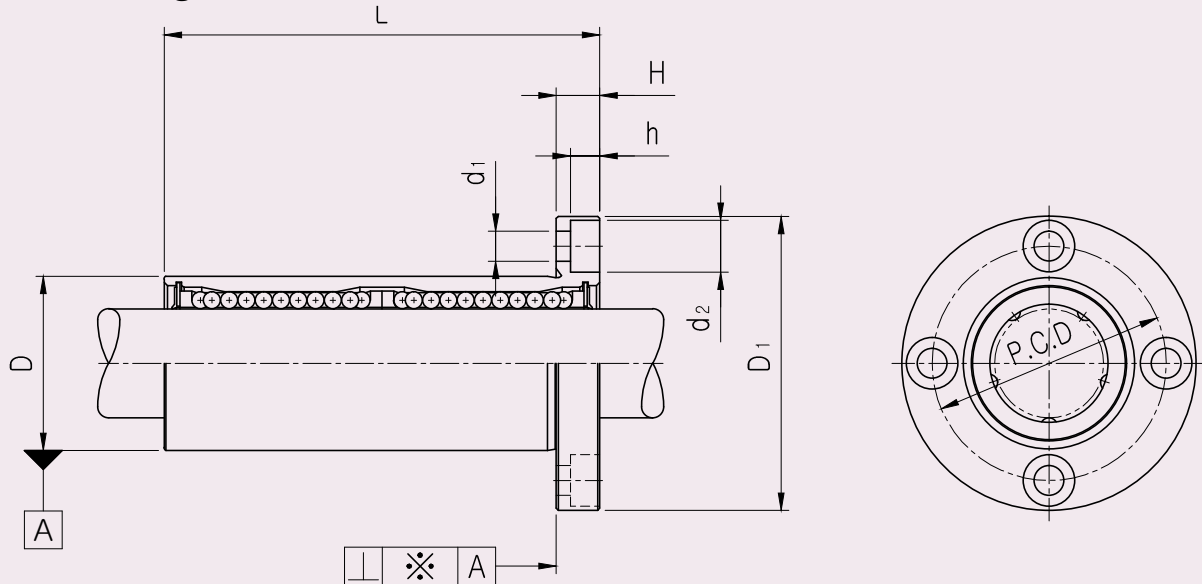


European Standard Linear Bushing (LME)

**LMEF\_L** FLANGED LONG LINEAR BUSHING

● Drawing



● Part Number Notation

**LMEF 20 L UU - A N S**

- European Standard Samick Circular Flanged Linear Bushing
- Nominal Shaft Diameter
- Linear Bushing Long Type (for high load)
- Seal

|       |                |
|-------|----------------|
| Blank | No Seal        |
| UU    | Both Side Seal |
| U     | One Side Seal  |

- Retainer (material)

|       |  |
|-------|--|
| Blank | Resin Retainer(Standard)                       |
| A     | Steel Retainer(High temperature) <sup>★1</sup> |

- Outer-sleeves (by corrosion resistance)

|       |                            |
|-------|----------------------------|
| Blank | Standard(SUJ2)             |
| N     | Electroless nickel plating |
| R     | Raydent treatment          |

- Ball type (material)

|       |  |
|-------|--|
| Blank | High carbon bearing steel ball(Standard) |
| S     | Stainless steel ball                     |



★1 Steel retainer applicable from LMEF8L to LMEF25L only

## European Standard Linear Bushing (LME)

**LMEF\_L FLANGED LONG LINEAR BUSHING**

| PART NUMBER |           | WORKING BORE DIAMETER |                  | D  |                | L   |                | B   |                | H  | PCD | d <sub>1</sub> | d <sub>2</sub> | h    | SQUAR ENESS<br>※(μm)* | BASIC LOAD RATING(N)      |             | NO. OF BALL ROW | WEIGHT (gf) <sup>★2</sup> |
|-------------|-----------|-----------------------|------------------|----|----------------|-----|----------------|-----|----------------|----|-----|----------------|----------------|------|-----------------------|---------------------------|-------------|-----------------|---------------------------|
| Resin       | Steel     | dr. (mm)              | CLEAR NCE (mm)   | mm | CLEAR NCE (mm) | mm  | CLEAR NCE (mm) | mm  | CLEAR NCE (mm) |    |     |                |                |      |                       | DYNAMIC (C) <sup>★1</sup> | STATIC (Co) |                 |                           |
| LMEF8LUU    | LMEF8L-A  | 8                     | +0.009<br>-0.001 | 16 | 0<br>-0.009    | 45  | 0<br>-0.3      | 32  | 0              | 5  | 24  | 3.4            | 6.5            | 3.3  | 15                    | 430                       | 780         | 4               | 53                        |
| LMEF12LUU   | LMEF12L-A | 12                    |                  | 22 | 0<br>-0.011    | 57  |                | 42  |                | 6  | 32  | 4.5            | 8              | 4.4  | 15                    | 650                       | 1200        | 4               | 100                       |
| LMEF16LUU   | LMEF16L-A | 16                    | +0.011<br>-0.001 | 26 | 0<br>-0.013    | 70  | 0<br>-0.4      | 46  | 0<br>-0.2      | 6  | 36  | 4.5            | 8              | 4.4  | 15                    | 1230                      | 2350        | 5               | 187                       |
| LMEF20LUU   | LMEF20L-A | 20                    |                  | 32 |                | 80  |                | 54  |                | 8  | 43  | 5.5            | 9.5            | 5.4  | 17                    | 1400                      | 2750        | 5               | 260                       |
| LMEF25LUU   | LMEF25L-A | 25                    | +0.013<br>-0.002 | 40 | 0<br>-0.015    | 112 | 0<br>-0.4      | 62  | 0<br>-0.3      | 8  | 51  | 5.5            | 9.5            | 5.4  | 17                    | 1560                      | 3140        | 6               | 515                       |
| LMEF30LUU   |           | 30                    |                  | 47 |                | 123 |                | 76  |                | 10 | 62  | 6.6            | 11             | 6.5  | 17                    | 2490                      | 5490        | 6               | 655                       |
| LMEF40LUU   |           | 40                    | +0.016<br>-0.004 | 62 | 0<br>-0.020    | 154 | 0<br>-0.4      | 98  | 0<br>-0.3      | 13 | 80  | 9              | 14             | 8.6  | 20                    | 3430                      | 8040        | 6               | 1560                      |
| LMEF50LUU   |           | 50                    |                  | 75 |                | 192 |                | 112 |                | 13 | 94  | 9              | 14             | 8.6  | 20                    | 6080                      | 15900       | 6               | 3500                      |
| LMEF60LUU   |           | 60                    |                  | 90 |                | 211 |                | 134 |                | 18 | 112 | 11             | 17.5           | 10.8 | 30                    | 7650                      | 20000       | 6               | 4500                      |

- ★1 Dynamic load rating is based on the nominal life of 50km  
 In case of 100km, C on the table need to be divided by 1.26  
 Ex) 50km basic dynamic load rating(C) of LMEF12L = 650N  
 100km basic dynamic load rating(C<sub>100</sub>) of LMEF12L = 650/1.26 = 515.87N
- ★2 Based on the weight of resin retainer
- ★3 Main unit : mm
- ★4 1N ≙ 0.102kgf