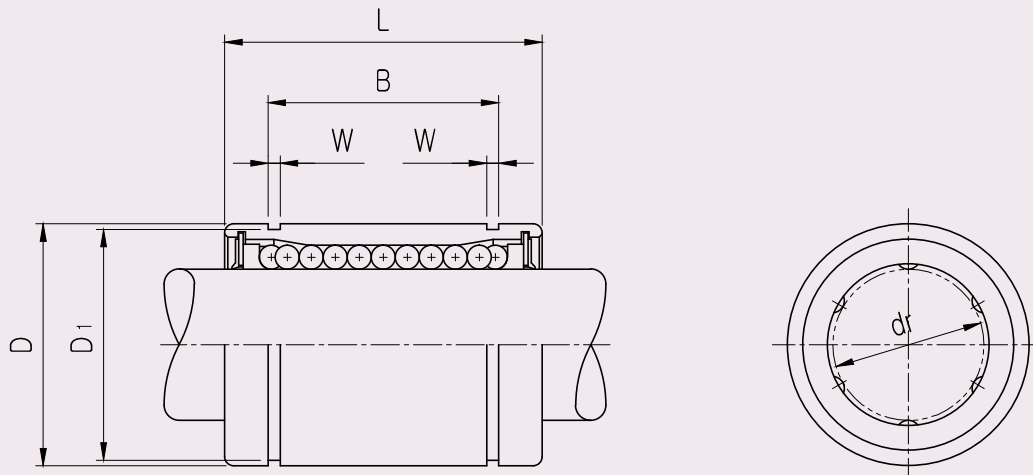


European Standard Linear Bushing (LME)

**LME** CLOSED LINEAR BUSHING

● Drawing



● Part Number Notation

**LME 20 UU - A N S**



- European Standard Samick Linear Bushing
- Nominal Shaft Diameter
- Seal

|       |                |
|-------|----------------|
| Blank | No Seal        |
| UU    | Both Side Seal |
| U     | One Side Seal  |

- Retainer (material)

|       |  |
|-------|--|
| Blank | Resin Retainer(Standard)                       |
| A     | Steel Retainer(High temperature) <sup>★1</sup> |

- Outer-sleeves (by corrosion resistance)

|       |                            |
|-------|----------------------------|
| Blank | Standard(SUJ2)             |
| N     | Electroless nickel plating |
| R     | Raydent treatment          |

- Ball type (material)

|       |  |
|-------|--|
| Blank | High carbon bearing steel ball(Standard) |
| S     | Stainless steel ball                     |

★1 Steel retainer applicable from LME8 to LME25 only

## European Standard Linear Bushing (LME)

**LME CLOSED LINEAR BUSHING**

| PART NUMBER |         | WORKING BORE DIAMETER |                  | D  |               | L    |               | B     |               | W    | D <sub>1</sub> | BASIC LOAD RATING(N)      |             | NO. OF BALL ROW | WEIGHT (gf) <sup>*2</sup> |
|-------------|---------|-----------------------|------------------|----|---------------|------|---------------|-------|---------------|------|----------------|---------------------------|-------------|-----------------|---------------------------|
| Resin       | Steel   | dr. (mm)              | CLEARNCE (mm)    | mm | CLEARNCE (mm) | mm   | CLEARNCE (mm) | mm    | CLEARNCE (mm) |      |                | DYNAMIC (C) <sup>*1</sup> | STATIC (Co) |                 |                           |
| LME5UU      |         | 5                     | +0.008<br>0      | 12 | 0             | 22   | 0<br>-0.008   | 14.5  | 0<br>-0.2     | 1.1  | 11.5           | 200                       | 260         | 4               | 12                        |
| LME8UU      | LME8-A  | 8                     |                  | 16 | 25            | 16.5 |               | 1.1   |               | 15.2 | 260            | 400                       | 4           | 20              |                           |
| LME12UU     | LME12-A | 12                    | +0.009<br>-0.001 | 22 | 0             | 32   | -0.009        | 22.9  | 0<br>-0.2     | 1.3  | 21             | 410                       | 590         | 4               | 41                        |
| LME16UU     | LME16-A | 16                    |                  | 26 | 36            | 24.9 |               | 1.3   |               | 24.9 | 770            | 1170                      | 5           | 57              |                           |
| LME20UU     | LME20-A | 20                    | +0.011<br>-0.001 | 32 | 0<br>-0.011   | 45   | 0<br>-0.3     | 31.5  | 0<br>-0.3     | 1.6  | 30.3           | 860                       | 1370        | 5               | 91                        |
| LME25UU     | LME25-A | 25                    |                  | 40 |               | 58   |               | 44.1  |               | 1.85 | 37.5           | 980                       | 1560        | 6               | 215                       |
| LME30UU     |         | 30                    | +0.013<br>-0.002 | 47 | 0<br>-0.013   | 68   | 0<br>-0.3     | 52.1  | 0<br>-0.3     | 1.85 | 44.5           | 1560                      | 2740        | 6               | 325                       |
| LME40UU     |         | 40                    |                  | 62 |               | 80   |               | 60.6  |               | 2.15 | 59             | 2150                      | 4010        | 6               | 705                       |
| LME50UU     |         | 50                    | +0.013<br>-0.002 | 75 | 0<br>-0.013   | 100  | 0<br>-0.4     | 77.6  | 0<br>-0.4     | 2.65 | 72             | 3820                      | 7930        | 6               | 1130                      |
| LME60UU     |         | 60                    |                  | 90 |               | 125  |               | 101.7 |               | 3.15 | 86.5           | 4700                      | 9990        | 6               | 2220                      |

- ★1 Dynamic load rating is based on the nominal life of 50km  
 In case of 100km, C on the table need to be divided by 1.26  
 Ex) 50km basic dynamic load rating(C) of LME12 = 410N  
 100km basic dynamic load rating(C<sub>100</sub>) of LME12 = 410/1.26 = 325.40N
- ★2 Based on the weight of resin retainer
- ★3 Main unit : mm
- ★4 1N ≅ 0.102kgf