

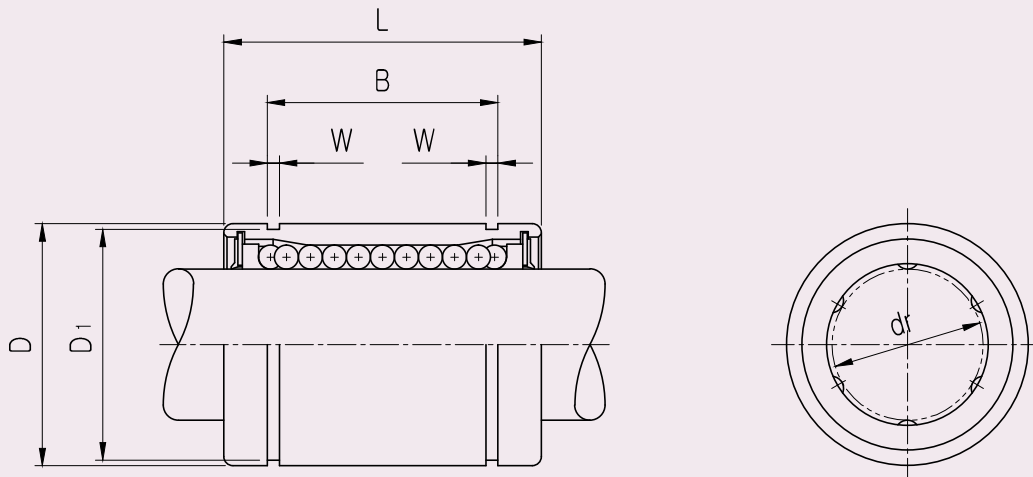
Rodamientos lineales Serie Asiática (JIS)



Asian Standard Linear Bushing (LM)

LM CLOSED LINEAR BUSHING

● Drawing



● Part Number Notation

LM 20 UU - A N S

- SAMICK Linear Bushing
- Nominal Shaft Diameter
- Seal

Blank	No Seal
UU	Both Side Seal
U	One Side Seal

- Retainer (material)

Blank	Resin Retainer(Standard)
A	Steel Retainer(High temperature) ^{★1}

- Outer-sleeves (by corrosion resistance)

Blank	Standard(SUJ2)
N	Electroless nickel plating
R	Raydent treatment

- Ball type (material)

Blank	High carbon bearing steel ball(Standard)
S	Stainless steel ball



★1 Steel retainer applicable from LM6 to LM25 only
(LM8S applicable with resin retainer only)

Asian Standard Linear Bushing (LM)

LM CLOSED LINEAR BUSHING

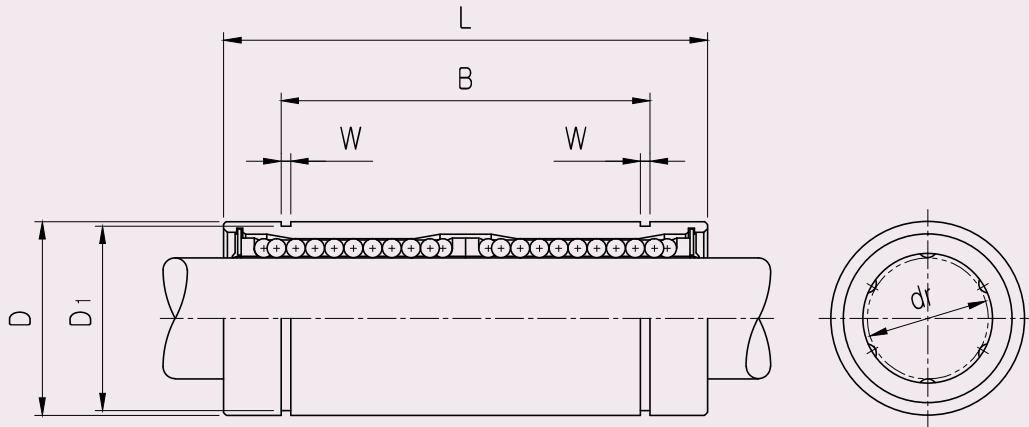
PART NUMBER		WORKING BORE DIAMETER		D		L		B		W	D ₁	BASIC LOAD RATING(N) ^{*4}		NO. OF BALL ROW	WEIGHT (gf) ^{*2}
Resin	Steel ^{*5}	dr. (mm)	CLEAR NCE(mm)	mm	CLEAR NCE(mm)	mm	CLEAR NCE(mm)	mm	CLEAR NCE(mm)			DYNAMIC (C) ^{*1}	STATIC (Co)		
LM5UU		5	0 -0.008	10	0 -0.008	15	0 -0.12	10.2		1.1	9.6	167	206	4	4
LM6UU	LM6-A	6		12		19		13.5		1.1	11.5	200	260	4	8
LM8SUU		8		15	0 -0.011	17		11.5		1.1	14.3	170	220	4	11
LM8UU	LM8-A	8		15		24		17.5		1.1	14.3	260	400	4	16
LM10UU	LM10-A	10	0 -0.009	19		29	0 -0.2	22.0	0 -0.2	1.3	18	370	540	4	30
LM12UU	LM12-A	12		21	0 -0.013	30		23.0		1.3	20	410	590	4	31.5
LM13UU	LM13-A	13		23		32		23.0		1.3	22	500	770	4	43
LM16UU	LM16-A	16		28		37		26.5		1.6	27	770	1170	5	69
LM20UU	LM20-A	20		32		42		30.5		1.6	30.5	860	1370	5	87
LM25UU	LM25-A	25	0 -0.010	40	0 -0.016	59		41.0		1.85	38	980	1560	6	220
LM30UU		30		45		64		44.5		1.85	43	1560	2740	6	250
LM35UU		35		52		70	0 -0.3	49.5	0 -0.3	2.1	49	1660	3130	6	390
LM40UU		40	0 -0.012	60	0 -0.019	80		60.5		2.1	57	2150	4010	6	585
LM50UU		50		80		100		74.0		2.6	76.5	3820	7930	6	1580
LM60UU		60	0 -0.015	90	0 -0.022	110		85.0		3.15	86.5	4700	9990	6	2000
LM80UU		80		120		140	0 -0.4	105.5	0 -0.4	4.15	116	10130	12000	6	4100

- ★1 Dynamic load rating is based on the nominal life of 50km
In case of 100km, C on the table need to be divided by 1.26
Ex) 50km basic dynamic load rating(C) of LM12 = 410N
100km basic dynamic load rating(C₁₀₀) of LM12 = 410/1.26 = 325.40N
- ★2 Based on the weight of resin retainer
- ★3 Main unit : mm
- ★4 1N ≙ 0.102kgf
- ★5 Steel retainer applicable from LM6 to LM25 only (LM8S resin retainer only)

Asian Standard Linear Bushing (LM)

LM_L LONG LINEAR BUSHING

● Drawing



● Part Number Notation

LM 20 L UU - A N S



- SAMICK Linear Bushing
- Nominal Shaft Diameter
- Linear Bushing Long Type (for high load)
- Seal

Blank	No Seal
UU	Both Side Seal
U	One Side Seal

- Retainer (material)

Blank	Resin Retainer(Standard)
A	Steel Retainer(High temperature) ^{★1}

- Outer-sleeves (by corrosion resistance)

Blank	Standard(SUJ2)
N	Electroless nickel plating
R	Raydent treatment

- Ball type (material)

Blank	High carbon bearing steel ball(Standard)
S	Stainless steel ball

★1 Steel retainer applicable from LM6L to LM25L only
(LM8SL applicable with resin retainer only)

Asian Standard Linear Bushing (LM)

LM_L LONG LINEAR BUSHING

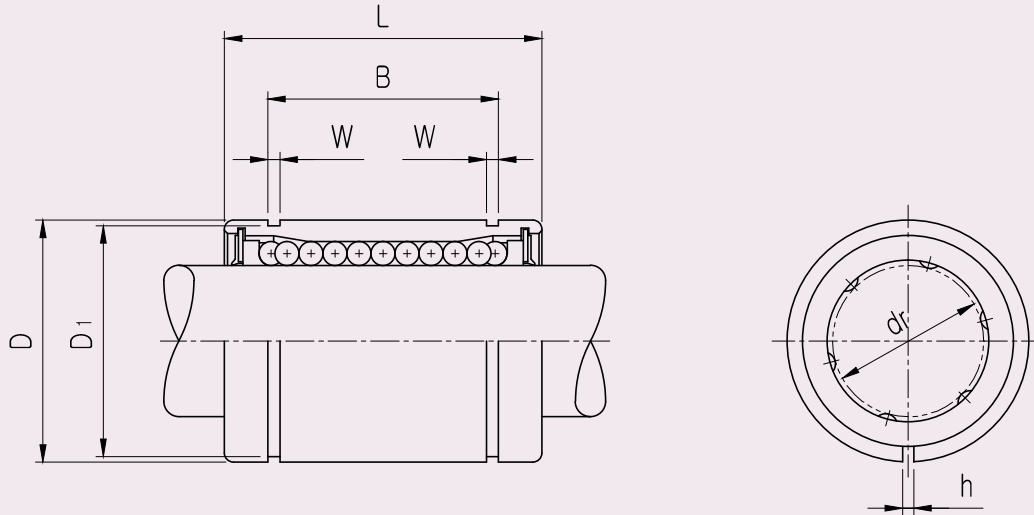
PART NUMBER		WORKING BORE DIAMETER		D		L		B		W	D ₁	BASIC LOAD RATING(N) ^{*4}		NO. OF BALL ROW	WEIGHT (gf) ^{*2}
Resin	Steel	dr. (mm)	CLEAR NCE(mm)	mm	CLEAR NCE(mm)	mm	CLEAR NCE(mm)	mm	CLEAR NCE(mm)			DYNAMIC (C) ^{*1}	STATIC (Co)		
LM6LUU	LM6L-A	6	0 -0.010	12	0 -0.013	35	0 -0.3	27	0 -0.3	1.1	11.5	320	520	4	16
LM8LUU	LM8L-A	8		15		45		35		1.1	14.3	430	780	4	31
LM10LUU	LM10L-A	10		19		55		44		1.3	18	580	1100	4	62
LM12LUU	LM12L-A	12		21	57	46		1.3		20	650	1200	4	80	
LM13LUU	LM13L-A	13		23	61	46		1.3		22	810	1570	4	90	
LM16LUU	LM16L-A	16		28	70	53		1.6		27	1230	2350	5	145	
LM20LUU	LM20L-A	20	0 -0.012	32	0 -0.019	80	0 -0.4	61	0 -0.4	1.6	30.5	1400	2750	5	180
LM25LUU	LM25L-A	25		40		112		82		1.85	38	1560	3140	6	440
LM30LUU		30		45		123		89		1.85	43	2490	5490	6	580
LM35LUU		35		52		135		99		2.1	49	2650	6470	6	795
LM40LUU		40		60		154		121		2.1	57	3430	8040	6	1170
LM50LUU		50		80		192		148		2.6	76.5	6080	15900	6	3100
LM60LUU		60	90	211	170	3.15	86.5	7650	20000	6	3500				

- ★1 Dynamic load rating is based on the nominal life of 50km
In case of 100km, C on the table need to be divided by 1.26
Ex) 50km basic dynamic load rating(C) of LM12L = 650N
100km basic dynamic load rating(C₁₀₀) LM12L = 650/1.26 = 515.87N
- ★2 Based on the weight of resin retainer
- ★3 Main unit : mm
- ★4 1N ≙ 0.102kgf

Asian Standard Linear Bushing (LM)

LM_AJ ADJUSTABLE LINEAR BUSHING

● Drawing



● Part Number Notation

LM 20 UU AJ - A N S



- SAMICK Linear Bushing
- Nominal Shaft Diameter
- Seal

Blank	No Seal
UU	Both Side Seal
U	One Side Seal

- Linear Bushing Adjustable type
- Retainer (material)

Blank	Resin Retainer(Standard)
A	Steel Retainer(High temperature) *1

- Outer-sleeves (by corrosion resistance)

Blank	Standard(SUJ2)
N	Electroless nickel plating
R	Raydent treatment

- Ball type (material)

Blank	High carbon bearing steel ball(Standard)
S	Stainless steel ball

※ *1 Steel retainer applicable from LM6AJ to LM25AJ only

Asian Standard Linear Bushing (LM)

LM_AJ ADJUSTABLE LINEAR BUSHING

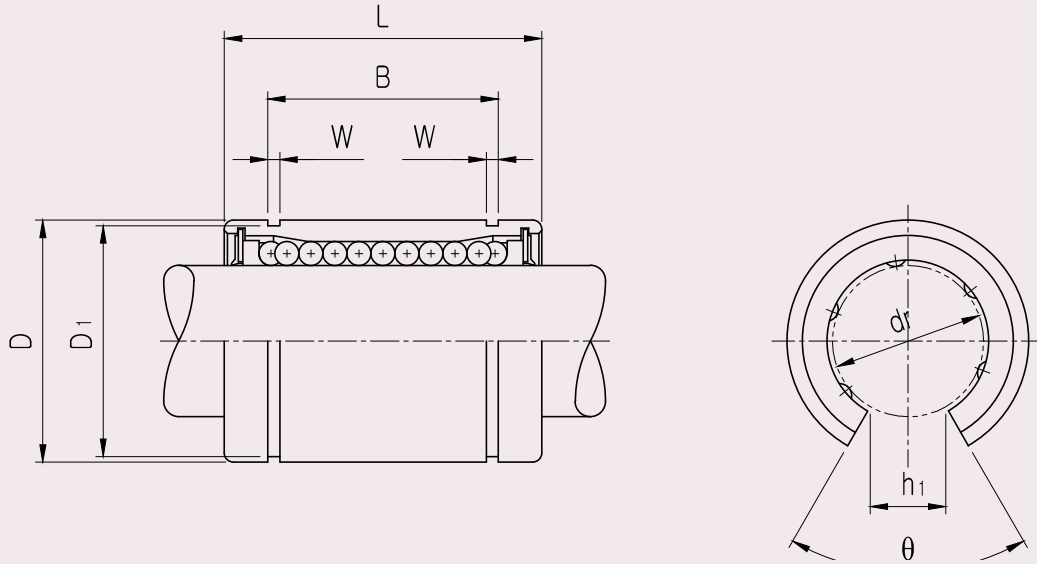
PART NUMBER		WORKING BORE DIAMETER		D		L		B		W	h	D _i	BASIC LOAD RATING(N)		NO. OF BALL ROW	WEIGHT (gf) ^{*2}
Resin	Steel	dr. (mm)	CLEAR NCE (mm)	mm	CLEAR NCE (mm)	mm	CLEAR NCE (mm)	mm	CLEAR NCE (mm)				DYNAMIC (C) ^{*1}	STATIC (Co)		
LM6UU AJ	LM6 AJ-A	6		12		19		13.5		1.1	1	11.5	200	260	4	8
LM8SUU AJ		8		15	0 -0.011	17		11.5		1.1	1	14.3	170	220	4	11
LM8UU AJ	LM8 AJ-A	8		15		24		17.5		1.1	1	14.3	260	400	4	16
LM10UU AJ	LM10 AJ-A	10	0 -0.009	19		29	0 -0.2	22.0	0 -0.2	1.3	1	18	370	540	4	30
LM12UU AJ	LM12 AJ-A	12		21	0 -0.013	30		23.0		1.3	1.5	20	410	590	4	31.5
LM13UU AJ	LM13 AJ-A	13		23		32		23.0		1.3	1.5	22	500	770	4	43
LM16UU AJ	LM16 AJ-A	16		28		37		26.5		1.6	1.5	27	770	1170	5	69
LM20UU AJ	LM20 AJ-A	20		32		42		30.5		1.6	1.5	30.5	860	1370	5	87
LM25UU AJ	LM25 AJ-A	25	0 -0.010	40	0 -0.016	59		41.0		1.85	2	38	980	1560	6	220
LM30UU AJ		30		45		64		44.5		1.85	2.5	43	1560	2740	6	250
LM35UU AJ		35		52		70		49.5		2.1	2.5	49	1660	3130	6	390
LM40UU AJ		40	0 -0.012	60	0 -0.019	80	0 -0.3	60.5	0 -0.3	2.1	3	57	2150	4010	6	585
LM50UU AJ		50		80		100		74.0		2.6	3	76.5	3820	7930	6	1580
LM60UU AJ		60	0 -0.015	90	0 -0.022	110		85.0		3.15	3	86.5	4700	9990	6	2000
LM80UU AJ		80		120		140		105.5		4.15	3	116	10130	12000	6	4500

- ★1 Dynamic load rating is based on the nominal life of 50km
In case of 100km, C on the table need to be divided by 1.26
Ex) 50km basic dynamic load rating(C) of LM12AJ = 410N
100km basic dynamic load rating(C₁₀₀) of LM12AJ = 410/1.26 = 325.40N
- ★2 Based on the weight of resin retainer
- ★3 Main unit : mm
- ★4 Outer diameter is the obtained value before the slotting process.
- ★5 1N ≅ 0.102kgf

Asian Standard Linear Bushing (LM)

LM_OP OPEN LINEAR BUSHING

● Drawing



● Part Number Notation

LM 20 UU OP - N S

● SAMICK Linear Bushing

● Nominal Shaft Diameter

● Seal

Blank	No Seal
UU	Both Side Seal
U	One Side Seal

● Linear Bushing Open type

● Outer-sleeves (by corrosion resistance)

Blank	Standard(SUJ2)
N	Electroless nickel plating
R	Raydent treatment

● Ball type (material)

Blank	High carbon bearing steel ball(Standard)
S	Stainless steel ball



Asian Standard Linear Bushing (LM)

LM_OP OPEN LINEAR BUSHING

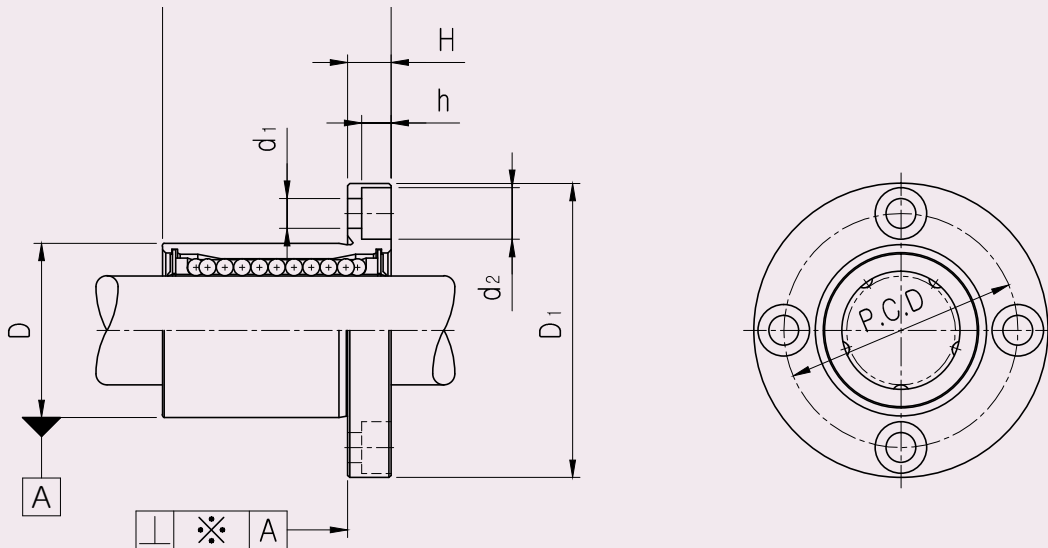
PART NUMBER	WORKING BORE DIAMETER		D*4		L		B		W	D ₁	θ	BASIC LOAD RATING(N)		NO. OF BALL ROW	WEIGHT (gf)*2
	Resin	dr. (mm)	CLEAR NCE(mm)	mm	CLEAR NCE(mm)	mm	CLEAR NCE(mm)	mm				CLEAR NCE(mm)	DYNAMIC (C)*1		
LM12UU OP	12		21		30		23.0		1.3	8	80	410	590	3	31.5
LM13UU OP	13	0 -0.009	23	0 -0.013	32	0 -0.2	23.0	0 -0.2	1.3	9	80	500	770	3	43
LM16UU OP	16		28		37		26.5		1.6	11	80	770	1170	4	69
LM20UU OP	20		32		42		30.5		1.6	11	60	860	1370	4	87
LM25UU OP	25	0 -0.010	40	0 -0.016	59	0 -0.3	41.0	0 -0.3	1.85	12	50	980	1560	5	220
LM30UU OP	30		45		64		44.5		1.85	15	50	1560	2740	5	250
LM35UU OP	35		52		70		49.5		2.1	17	50	1660	3130	5	390
LM40UU OP	40	0 -0.012	60	0 -0.019	80	0 -0.3	60.5	0 -0.3	2.1	20	50	2150	4010	5	585
LM50UU OP	50		80		100		74.0		2.6	25	50	3820	7930	5	1580
LM60UU OP	60	0 -0.015	90	0 -0.022	110		85.0		3.15	30	50	4700	9990	5	2000
LM80UU OP	80		120		140	105.5	4.15	30	50	10130	12000	5	4500		

- ★1 Dynamic load rating is based on the nominal life of 50km
 In case of 100km, C on the table need to be divided by 1.26
 Ex) 50km basic dynamic load rating(C) of LM12OP = 410N
 100km basic dynamic load rating(C₁₀₀) of LM12OP = 410/1.26 = 325.40N
- ★2 Based on the weight of resin retainer
- ★3 Main unit : mm
- ★4 Outer diameter is the obtained value before the slotting process.
- ★5 1N ≙ 0.102kgf

Asian Standard Linear Bushing (LM)

LMF FLANGED LINEAR BUSHING

● Drawing



● Part Number Notation

LMF 20 UU - A N S



- SAMICK Circular Flanged Linear Bushing
- Nominal Shaft Diameter
- Seal

Blank	No Seal
UU	Both Side Seal
U	One Side Seal

- Retainer (material)

Blank	Resin Retainer(Standard)
A	Steel Retainer(High temperature) ^{★1}

- Outer-sleeves (by corrosion resistance)

Blank	Standard(SUJ2)
N	Electroless nickel plating
R	Raydent treatment

- Ball type (material)

Blank	High carbon bearing steel ball(Standard)
S	Stainless steel ball

★1 Steel retainer applicable from LMF6 to LMF25 only
(LMF8S applicable with resin retainer only)

Asian Standard Linear Bushing (LM)

LMF FLANGED LINEAR BUSHING

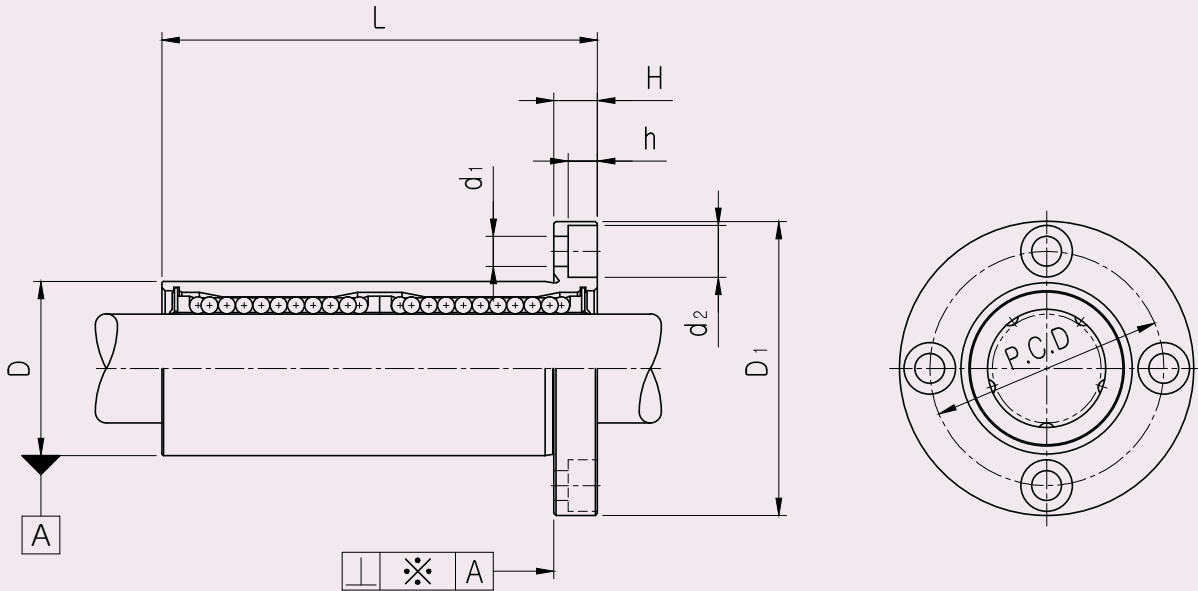
PART NUMBER		WORKING BORE DIAMETER		D		L		D ₁		H	PCD	d ₁	d ₂	h	SQUARENESSE *(μm)*	BASIC LOAD RATING(N)		NO. OF BALL ROW	WEIGHT (gf)*2
Resin	Steel	dr. (mm)	CLEAR NCE (mm)	mm	CLEAR NCE (mm)	mm	CLEAR NCE (mm)	mm	CLEAR NCE (mm)						DYNAMIC (C)*1	STATIC (Co)			
LMF6UU	LMF6-A	6		12		19		28		5	20	3.4	6.5	3.3	12	220	260	4	26.5
LMF8SUU		8		15	0 -0.011	17		32		5	24	3.4	6.5	3.3	12	170	220	4	34
LMF8UU	LMF8-A	8		15		24		32		5	24	3.4	6.5	3.3	12	260	400	4	40
LMF10UU	LMF10-A	10	0 -0.009	19		29	0 -0.2	40		6	29	4.5	8.0	4.4	12	370	540	4	78
LMF12UU	LMF12-A	12		21	0 -0.013	30		42		6	32	4.5	8.0	4.4	12	410	590	4	76
LMF13UU	LMF13-A	13		23		32		43	0 -0.2	6	33	4.5	8.0	4.4	12	500	770	4	94
LMF16UU	LMF16-A	16		28		37		48		6	38	4.5	8.0	4.4	12	770	1170	5	134
LMF20UU	LMF20-A	20		32		42		54		8	43	5.5	9.5	5.4	15	860	1370	5	180
LMF25UU	LMF25-A	25	0 -0.010	40	0 -0.016	59		62		8	51	5.5	9.5	5.4	15	980	1560	6	340
LMF30UU		30		45		64		74		10	60	6.6	11.0	6.5	15	1560	2740	6	460
LMF35UU		35		52		70		82		10	67	6.6	11.0	6.5	20	1660	3130	6	795
LMF40UU		40	0 -0.012	60	0 -0.019	80	0 -0.3	96		13	78	9.0	14.0	8.6	20	2150	4010	6	1054
LMF50UU		50		80		100		116	0 -0.3	13	98	9.0	14.0	8.6	20	3820	7930	6	2200
LMF60UU		60	0 -0.015	90	0 -0.022	110		134		18	112	11.0	17.5	10.8	25	4700	9990	6	2960
LMF80UU		80		120		140		164		18	142	11.0	17.5	11.1	25	10130	12000	6	5400

- ★1 Dynamic load rating is based on the nominal life of 50km
In case of 100km, C on the table need to be divided by 1.26
Ex) 50km basic dynamic load rating(C) of LMF12 = 410N
100km basic dynamic load rating(C₁₀₀) of LMF12 = 410/1.26 = 325.40N
- ★2 Based on the weight of resin retainer
- ★3 Main unit : mm
- ★4 1N ≙ 0.102kgf

Asian Standard Linear Bushing (LM)

LMF_L FLANGED LONG LINEAR BUSHING

● Drawing



● Part Number Notation

LMF 20 L UU - A N S



- SAMICK Circular Flanged Linear Bushing
- Nominal Shaft Diameter
- Linear Bushing Long Type (for high load)
- Seal

Blank	No Seal
UU	Both Side Seal
U	One Side Seal

- Retainer (material)

Blank	Resin Retainer(Standard)
A	Steel Retainer(High temperature) ^{★1}

- Outer-sleeves (by corrosion resistance)

Blank	Standard(SUJ2)
N	Electroless nickel plating
R	Raydent treatment

- Ball type (material)

Blank	High carbon bearing steel ball(Standard)
S	Stainless steel ball

★1 Steel retainer applicable from LMF6L to LMF25L only

Asian Standard Linear Bushing (LM)

LMF_L FLANGED LONG LINEAR BUSHING

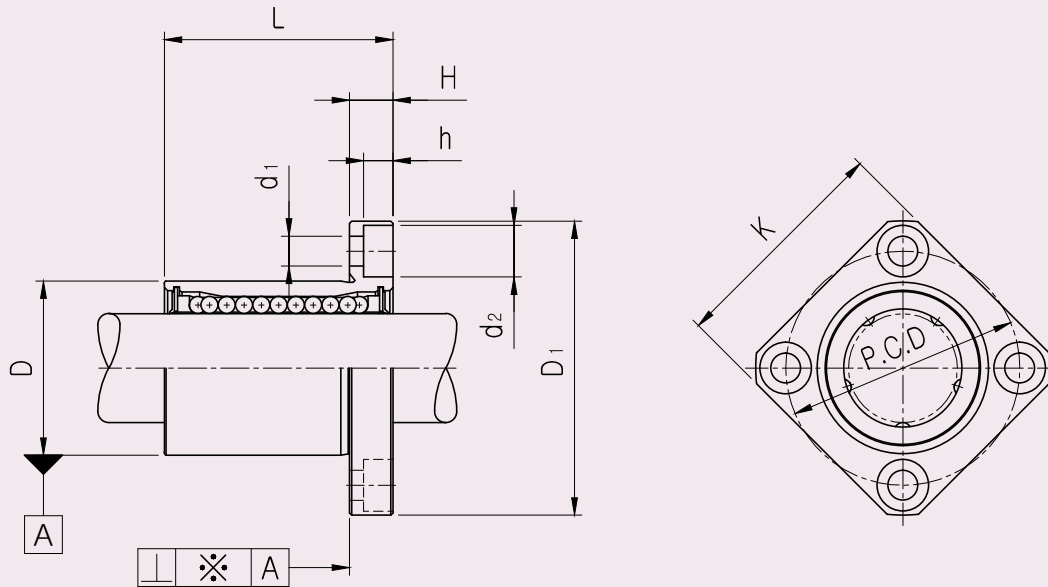
PART NUMBER		WORKING BORE DIAMETER		D		L		D ₁		H	PCD	d ₁	d ₂	h	SQUARENESSE *(μm)*	BASIC LOAD RATING(N)		NO. OF BALL ROW	WEIGHT (gf)*2
Resin	Steel	dr. (mm)	CLEAR NCE (mm)	mm	CLEAR NCE (mm)	mm	CLEAR NCE (mm)	mm	CLEAR NCE (mm)						DYNAMIC (C)*1	STATIC (Co)			
LMF6LUU	LMF6L-A	6		12	0	35		28		5	20	3.4	6.5	3.3	15	320	520	4	31
LMF8LUU	LMF8L-A	8		15	-0.013	45		32		5	24	3.4	6.5	3.3	15	430	780	4	53
LMF10LUU	LMF10L-A	10		19		55		40		6	29	4.5	8.0	4.4	15	580	1100	4	105
LMF12LUU	LMF12L-A	12	0 -0.010	21	0	57	0 -0.3	42		6	32	4.5	8.0	4.4	15	650	1200	4	100
LMF13LUU	LMF13L-A	13		23	-0.016	61		43		6	33	4.5	8.0	4.4	15	810	1570	4	130
LMF16LUU	LMF16L-A	16		28		70		48	0 -0.2	6	38	4.5	8.0	4.4	15	1230	2350	5	187
LMF20LUU	LMF20L-A	20		32		80		54		8	43	5.5	9.5	5.4	20	1400	2750	5	260
LMF25LUU	LMF25L-A	25	0 -0.012	40	0 -0.019	112		62		8	51	5.5	9.5	5.4	20	1560	3140	6	515
LMF30LUU		30		45		123		74		10	60	6.6	11.0	6.5	20	2490	5490	6	655
LMF35LUU		35		52		135		82		10	67	6.6	11.0	6.5	25	2650	6470	6	970
LMF40LUU		40	0 -0.015	60	0 -0.022	154	0 -0.4	96		13	78	9.0	14.0	8.6	25	3430	8040	6	1560
LMF50LUU		50		80		192		116	0 -0.3	13	98	9.0	14.0	8.6	25	6080	15900	6	3500
LMF60LUU		60	0 -0.020	90	0 -0.025	211		134		18	112	11.0	17.5	10.8	30	7650	20000	6	4500

- ★1 Dynamic load rating is based on the nominal life of 50km
In case of 100km, C on the table need to be divided by 1.26
Ex) 50km basic dynamic load rating(C) of LMF12L = 650N
100km basic dynamic load rating(C₁₀₀) of LMF12L = 650/1.26 = 515.87N
- ★2 Based on the weight of resin retainer
- ★3 Main unit : mm
- ★4 1N ≒ 0.102kgf

Asian Standard Linear Bushing (LM)

LMK FLANGED LINEAR BUSHING

● Drawing



● Part Number Notation

LMK 20 UU - A N S

- SAMICK Square Flanged Linear Bushing
- Nominal Shaft Diameter
- Seal

Blank	No Seal
UU	Both Side Seal
U	One Side Seal

- Retainer (material)

Blank	Resin Retainer(Standard)
A	Steel Retainer(High temperature) ^{★1}

- Outer-sleeves (by corrosion resistance)

Blank	Standard(SUJ2)
N	Electroless nickel plating
R	Raydent treatment

- Ball type (material)

Blank	High carbon bearing steel ball(Standard)
S	Stainless steel ball



★1 Steel retainer applicable from LMK6 to LMK25 only
(LMK8S applicable with resin retainer only)

Asian Standard Linear Bushing (LM)

LMK FLANGED LINEAR BUSHING

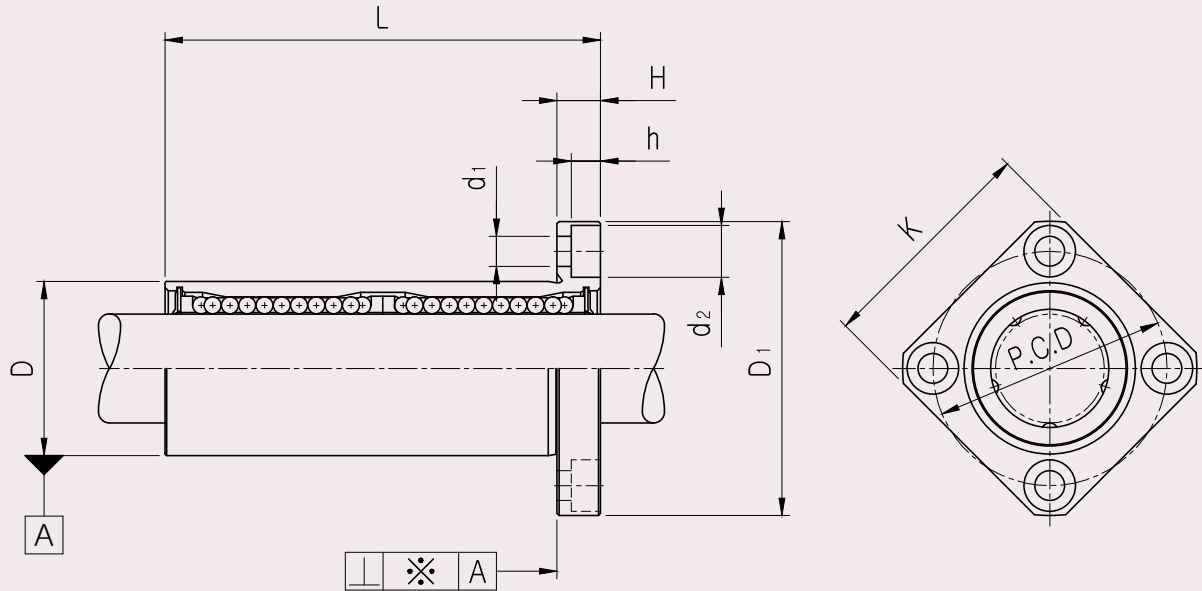
PART NUMBER		WORKING BORE DIAMETER		D		L		D ₁		H	PCD	K	d ₁	d ₂	h	SQUARENESSE *(μm)*	BASIC LOAD RATING(N)		NO. OF BALL ROW	WEIGHT (gf)* ²
Resin	Steel	dr. (mm)	CLEAR NCE (mm)	mm	CLEAR NCE (mm)	mm	CLEAR NCE (mm)	mm	CLEAR NCE (mm)							DYNAMIC (C)* ¹	STATIC (Co)			
LMK6UU	LMK6-A	6		12		19		28		5	20	22	3.4	6.5	3.3	12	200	260	4	26.5
LMK8SUU		8		15	0 -0.011	17		32		5	24	25	3.4	6.5	3.3	12	170	220	4	34
LMK8UU	LMK8-A	8		15		24		32		5	24	25	3.4	6.5	3.3	12	260	400	4	40
LMK10UU	LMK10-A	10	0 -0.009	19		29	0 -0.2	40		6	29	30	4.5	8.0	4.4	12	370	540	4	78
LMK12UU	LMK12-A	12		21	0 -0.013	30		42		6	32	32	4.5	8.0	4.4	12	410	590	4	76
LMK13UU	LMK13-A	13		23		32		43	0 -0.2	6	33	34	4.5	8.0	4.4	12	500	770	4	94
LMK16UU	LMK16-A	16		28		37		48		6	38	37	4.5	8.0	4.4	12	770	1170	5	134
LMK20UU	LMK20-A	20		32		42		54		8	43	42	5.5	9.5	5.4	15	860	1370	5	180
LMK25UU	LMK25-A	25	0 -0.010	40	0 -0.016	59		62		8	51	50	5.5	9.5	5.4	15	980	1560	6	340
LMK30UU		30		45		64		74		10	60	58	6.6	11.0	6.5	15	1560	2740	6	460
LMK35UU		35		52		70		82		10	67	64	6.6	11.0	6.5	20	1660	3130	6	795
LMK40UU		40	0 -0.012	60	0 -0.019	80	0 -0.3	96		13	78	75	9.0	14.0	8.6	20	2150	4010	6	1054
LMK50UU		50		80		100		116	0 -0.3	13	98	92	9.0	14.0	8.6	20	3820	7930	6	2200
LMK60UU		60	0 -0.015	90	0 -0.022	110		134		18	112	106	11.0	17.5	10.8	25	4700	9990	6	2960
LMK80UU		80		120		140		164		18	142	136	11.0	17.5	11.1	25	10130	12000	6	4900

- ★1 Dynamic load rating is based on the nominal life of 50km
In case of 100km, C on the table need to be divided by 1.26
Ex) 50km basic dynamic load rating(C) of LMK12 = 410N
100km basic dynamic load rating(C₁₀₀) of LMK12 = 410/1.26 = 325.40N
- ★2 Based on the weight of resin retainer
- ★3 Main unit : mm
- ★4 1N ≙ 0.102kgf

Asian Standard Linear Bushing (LM)

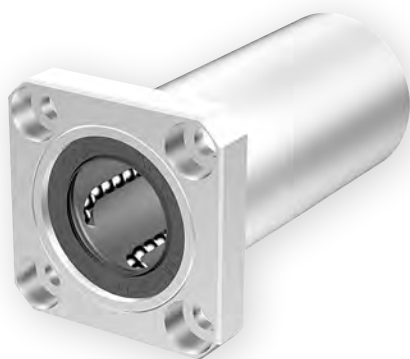
LMK_L FLANGED LONG LINEAR BUSHING

● Drawing



● Part Number Notation

LMK 20 L UU - A N S



- SAMICK Square Linear Bushing
- Nominal Shaft Diameter
- Linear Bushing Long Type (for high load)
- Seal

Blank	No Seal
UU	Both Side Seal
U	One Side Seal

- Retainer (material)

Blank	Resin Retainer(Standard)
A	Steel Retainer(High temperature) ^{★1}

- Outer-sleeves (by corrosion resistance)

Blank	Standard(SUJ2)
N	Electroless nickel plating
R	Raydent treatment

- Ball type (material)

Blank	High carbon bearing steel ball(Standard)
S	Stainless steel ball

★1 Steel retainer applicable from LMK6L to LMK25L only

Asian Standard Linear Bushing (LM)

LMK_L FLANGED LONG LINEAR BUSHING

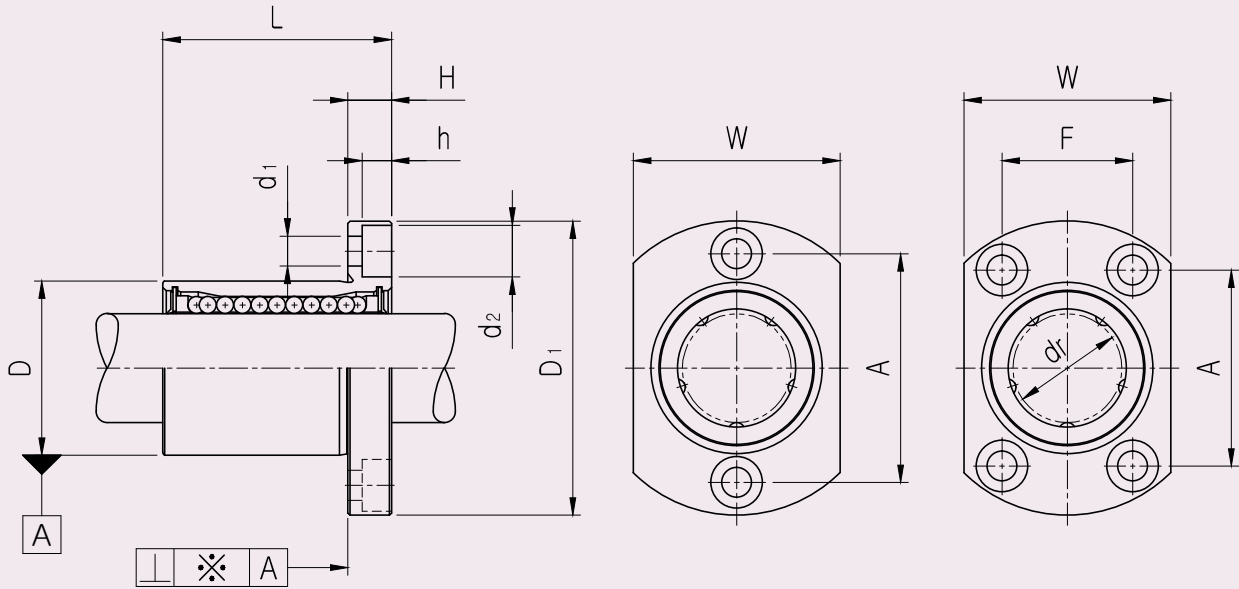
PART NUMBER		WORKING BORE DIAMETER		D		L		D ₁		H	PCD	K	d ₁	d ₂	h	SQUARENESSE *(μm)*	BASIC LOAD RATING(N)		NO. OF BALL ROW	WEIGHT (gf)*2			
Resin	Steel	dr. (mm)	CLEAR NCE (mm)	mm	CLEAR NCE (mm)	mm	CLEAR NCE (mm)	mm	CLEAR NCE (mm)							DYNAMIC (C)*1	STATIC (Co)						
LMK6LUU	LMK6L-A	6	0 -0.010	12	0 -0.013	35	0 -0.3	28	0 -0.2	5	20	22	3.4	6.5	3.3	15	320	520	4	31			
LMK8LUU	LMK8L-A	8		15		45		32		5	24	25	3.4	6.5	3.3	15	430	780	4	53			
LMK10LUU	LMK10L-A	10		19	55	40		6		29	30	4.5	8.0	4.4	15	580	1100	4	105				
LMK12LUU	LMK12L-A	12		21	0 -0.016	57		0 -0.3		42	0 -0.2	6	32	32	4.5	8.0	4.4	15	650	1200	4	100	
LMK13LUU	LMK13L-A	13		23		61				43		6	33	34	4.5	8.0	4.4	15	810	1570	4	130	
LMK16LUU	LMK16L-A	16		28		70				48		6	38	37	4.5	8.0	4.4	15	1230	2350	5	187	
LMK20LUU	LMK20L-A	20		32	80	54		8		43	42	5.5	9.5	5.4	20	1400	2750	5	260				
LMK25LUU	LMK25L-A	25		0 -0.012	40	0 -0.019		112		0 -0.4	62	0 -0.3	8	51	50	5.5	9.5	5.4	20	1560	3140	6	515
LMK30LUU		30			45			123			74		10	60	58	6.6	11.0	6.5	20	2490	5490	6	655
LMK35LUU		35		52	135	82		10		67	64	6.6	11.0	6.5	25	2650	6470	6	970				
LMK40LUU		40	0 -0.015	60	0 -0.022	154	0 -0.4	96	0 -0.3	13	78	75	9.0	14.0	8.6	25	3430	8040	6	1560			
LMK50LUU		50		80		192		116		13	98	92	9.0	14.0	8.6	25	6080	15900	6	3500			
LMK60LUU		60	0 -0.020	90	0 -0.025	211		134		18	112	106	11.0	17.5	10.8	30	7650	20000	6	4500			

- ★1 Dynamic load rating is based on the nominal life of 50km
In case of 100km, C on the table need to be divided by 1.26
Ex) 50km basic dynamic load rating(C) of LMK12L = 650N
100km basic dynamic load rating(C₁₀₀) of LMK12L = 650/1.26 = 515.87N
- ★2 Based on the weight of resin retainer
- ★3 Main unit : mm
- ★4 1N ≙ 0.102kgf

Asian Standard Linear Bushing (LM)

LMH FLANGED LINEAR BUSHING

● Drawing



● Part Number Notation

LMH 20 UU - A N S



- SAMICK Oval Flanged Linear Bushing
- Nominal Shaft Diameter
- Seal

Blank	No Seal
UU	Both Side Seal
U	One Side Seal

- Retainer (material)

Blank	Resin Retainer(Standard)
A	Steel Retainer(High temperature)*1

- Outer-sleeves (by corrosion resistance)

Blank	Standard(SUJ2)
N	Electroless nickel plating
R	Raydent treatment

- Ball type (material)

Blank	High carbon bearing steel ball(Standard)
S	Stainless steel ball

*1 Steel retainer applicable from LMH6 to LMH25 only

Asian Standard Linear Bushing (LM)

LMH FLANGED LINEAR BUSHING

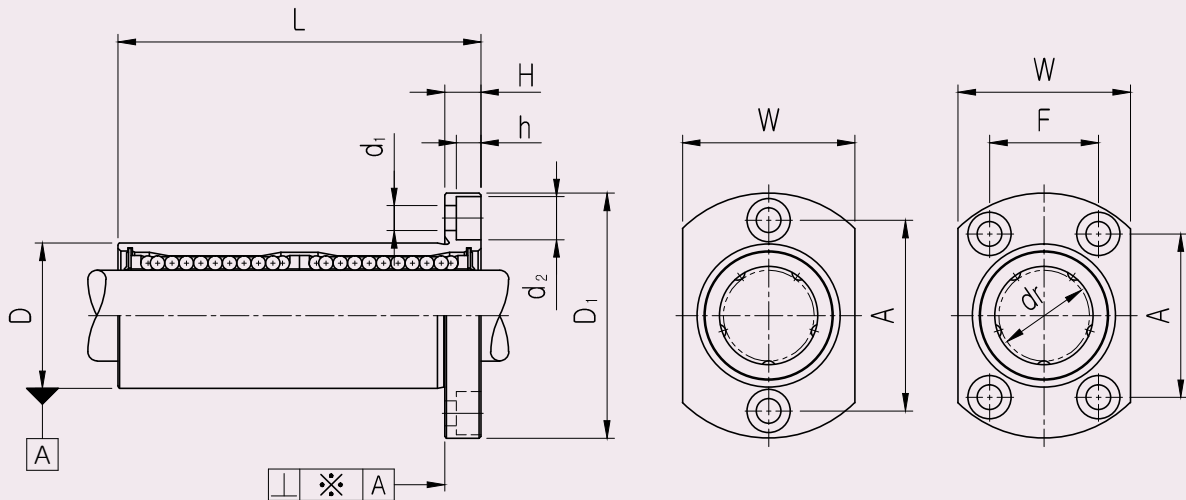
PART NUMBER		WORKING BORE DIAMETER		D		L		D ₁		H	W	A	F	d ₁	d ₂	h	SQUAREDNESS *(μm)*	BASIC LOAD RATING(N)		NO. OF BALL ROW	WEIGHT (gf)* ²					
Resin	Steel	dr. (mm)	CLEAR NCE (mm)	mm	CLEAR NCE (mm)	mm	CLEAR NCE (mm)	mm	CLEAR NCE (mm)								DYNAMIC (C)* ¹	STATIC (Co)								
LMH6UU	LMH6-A	6	0 -0.09	12	0 -0.011	19	0 -0.2	28	0 -0.2	5	18	20	-	3.4	6.5	3.3	12	200	260	4	26.5					
LMH8UU	LMH8-A	8		15		24		32		5	21	24	-	3.4	6.5	3.3	12	260	400	4	40					
LMH10UU	LMH10-A	10		19	29	40		6		25	29	-	4.5	8.0	4.4	12	370	540	4	78						
LMH12UU	LMH12-A	12		21	0 -0.013	30		0 -0.2		42	0 -0.2	6	27	32	-	4.5	8.0	4.4	12	410	590	4	76			
LMH13UU	LMH13-A	13		23		32				43		6	29	33	-	4.5	8.0	4.4	12	500	770	4	94			
LMH16UU	LMH16-A	16		28	37	48				6		34	31	22	4.5	8.0	4.4	12	770	1170	5	134				
LMH20UU	LMH20-A	20		32	42	54				8		38	36	24	5.5	9.5	5.4	15	860	1370	5	180				
LMH25UU	LMH25-A	25		0 -0.010	40	0 -0.016				59		0 -0.3	62	0 -0.3	8	46	40	32	5.5	9.5	5.4	15	980	1560	6	340
LMH30UU		30								45			64		74	10	51	49	35	6.6	11.0	6.5	15	1560	2740	6

- ★1 Dynamic load rating is based on the nominal life of 50km
In case of 100km, C on the table need to be divided by 1.26
Ex) 50km basic dynamic load rating(C) of LMH12 = 410N
100km basic dynamic load rating(C₁₀₀) of LMH12 = 410/1.26 = 325.40N
- ★2 Based on the weight of resin retainer
- ★3 Main unit : mm
- ★4 1N ≅ 0.102kgf

Asian Standard Linear Bushing (LM)

LMH_L FLANGED LONG LINEAR BUSHING

● Drawing



● Part Number Notation

LMH 20 L UU - A N S



- SAMICK Oval Flanged Linear Bushing
- Nominal Shaft Diameter
- Linear Bushing Long Type (for high load)
- Seal

Blank	No Seal
UU	Both Side Seal
U	One Side Seal

- Retainer (material)

Blank	Resin Retainer(Standard)
A	Steel Retainer(High temperature) ^{★1}

- Outer-sleeves (by corrosion resistance)

Blank	Standard(SUJ2)
N	Electroless nickel plating
R	Raydent treatment

- Ball type (material)

Blank	High carbon bearing steel ball(Standard)
S	Stainless steel ball

★1 Steel retainer applicable from LMH6L to LMH25L only

Asian Standard Linear Bushing (LM)

LMH_L FLANGED LONG LINEAR BUSHING

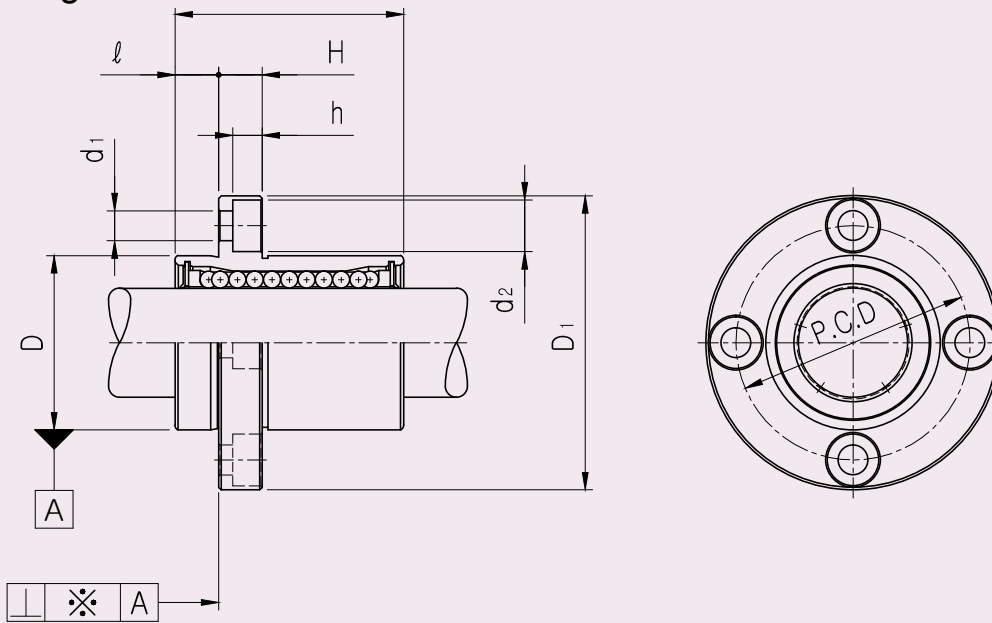
PART NUMBER		WORKING BORE DIAMETER		D		L		D ₁		H	W	A	F	d ₁	d ₂	h	SQUAR ENESS *(μm)*	BASIC LOAD RATING(N)		NO. OF BALL ROW	WEIGHT (gf)*2			
Resin	Steel	dr. (mm)	CLEAR NCE (mm)	mm	CLEAR NCE (mm)	mm	CLEAR NCE (mm)	mm	CLEAR NCE (mm)								DYNAMIC (C)*1	STATIC (Co)						
LMH6LUU	LMH6L-A	6	0 -0.010	12	0 -0.013	35	0 -0.3	28	0 -0.2	5	18	20	-	3.4	6.5	3.3	15	320	520	4	31			
LMH8LUU	LMH8L-A	8		15		45		32		5	21	24	-	3.4	6.5	3.3	15	430	780	4	53			
LMH10LUU	LMH10L-A	10		19	55	40		6		25	29	-	4.5	8.0	4.4	15	580	1100	4	105				
LMH12LUU	LMH12L-A	12		21	0 -0.016	57		42		6	27	32	-	4.5	8.0	4.4	15	650	1200	4	100			
LMH13LUU	LMH13L-A	13		23		61		43		6	29	33	-	4.5	8.0	4.4	15	810	1570	4	130			
LMH16LUU	LMH16L-A	16		28		70		48		6	34	31	22	4.5	8.0	4.4	15	1230	2350	5	187			
LMH20LUU	LMH20L-A	20		32	80	54		8		38	36	24	5.5	9.5	5.4	20	1400	2750	5	260				
LMH25LUU	LMH25L-A	25		0 -0.012	40	0 -0.019		112		0 -0.04	62		8	46	40	32	5.5	9.5	5.4	20	1560	3140	6	515
LMH30LUU		30			45			123			74		10	51	49	35	6.6	11.0	6.5	20	2490	5490	6	655

- ★1 Dynamic load rating is based on the nominal life of 50km
In case of 100km, C on the table need to be divided by 1.26
Ex) 50km basic dynamic load rating(C) of LMH12L = 650N
100km basic dynamic load rating(C₁₀₀) of LMH12L = 650/1.26 = 515.87N
- ★2 Based on the weight of resin retainer
- ★3 Main unit : mm
- ★4 1N ≒ 0.102kgf

Asian Standard Linear Bushing (LM)

LMFP FLANGED LINEAR BUSHING

● Drawing



● Part Number Notation

LMFP 20 UU - A N S



- SAMICK Circular Pilot Flanged Linear Bushing
- Nominal Shaft Diameter
- Seal

Blank	No Seal
UU	Both Side Seal
U	One Side Seal

- Retainer (material)

Blank	Resin Retainer(Standard)
A	Steel Retainer(High temperature)*1

- Outer-sleeves (by corrosion resistance)

Blank	Standard(SUJ2)
N	Electroless nickel plating
R	Raydent treatment

- Ball type (material)

Blank	High carbon bearing steel ball(Standard)
S	Stainless steel ball

★1 Steel retainer applicable from LMFP6 to LMFP25 only

Asian Standard Linear Bushing (LM)

LMFP FLANGED LINEAR BUSHING

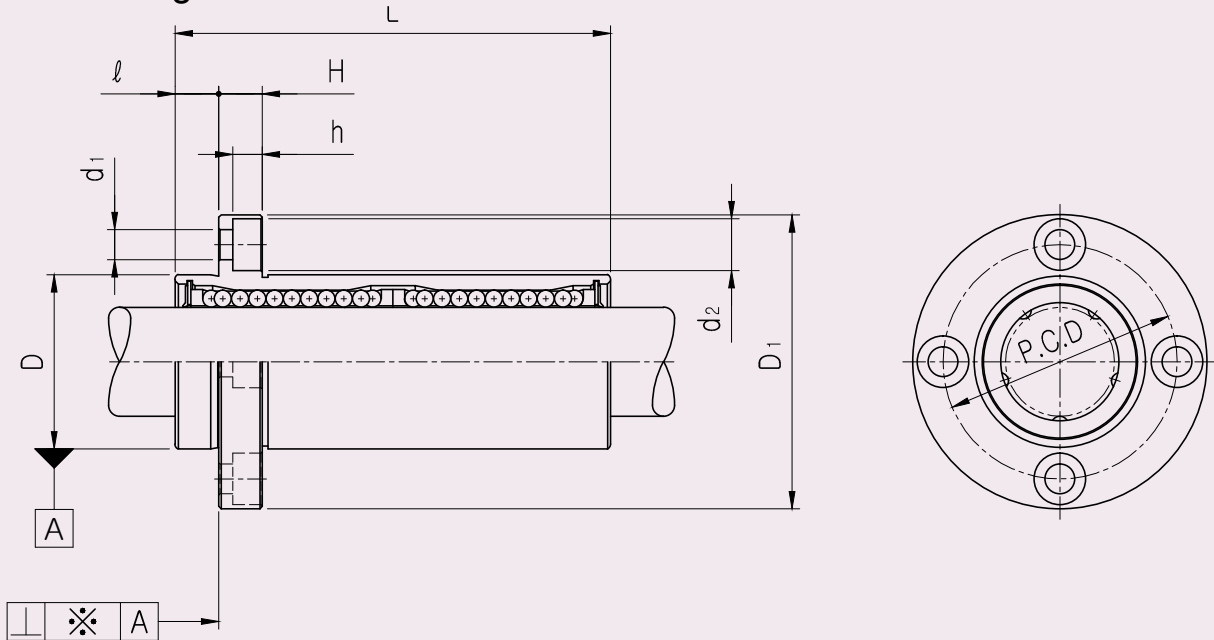
PART NUMBER		WORKING BORE DIAMETER		D		L		D ₁		ø	H	PCD	d ₁	d ₂	h	SQUAR ENESS *(µm)*	BASIC LOAD RATING(N)		NO. OF BALL ROW	WEIGHT (gf)* ²			
Resin	Steel	dr. (mm)	CLEAR NCE (mm)	mm	CLEAR NCE (mm)	mm	CLEAR NCE (mm)	mm	CLEAR NCE (mm)								DYNAMIC (C)* ¹	STATIC (Co)					
LMFP6UU	LMFP6-A	6	0 -0.009	12	0 -0.011	19	0 -0.2	28	0 -0.2	5	5	20	3.4	6.5	3.3	12	200	260	4	26.5			
LMFP8UU	LMFP8-A	8		15	24	32		5		5	24	3.4	6.5	3.3	12	260	400	4	40				
LMFP10UU	LMFP10-A	10		19	29	40		6		6	29	4.5	8	4.4	12	370	540	4	76				
LMFP12UU	LMFP12-A	12		21	30	42		6		6	32	4.5	8	4.4	12	410	590	4	78				
LMFP13UU	LMFP13-A	13		23	32	43		6		6	33	4.5	8	4.4	12	500	770	4	94				
LMFP16UU	LMFP16-A	16		28	37	48		6		6	38	4.5	8	4.4	12	770	1170	5	134				
LMFP20UU	LMFP20-A	20		32	42	54		8		8	43	5.5	9.5	5.4	15	860	1370	5	180				
LMFP25UU	LMFP25-A	25		0 -0.010	40	0 -0.016		59		0 -0.3	62	0 -0.3	8	8	51	5.5	9.5	5.4	15	980	1560	6	340
LMFP30UU		30		45	64	74		10			10		60	6.6	11	6.5	15	1560	2740	6	460		
LMFP35UU		35		52	70	82		10			10		67	6.6	11	6.5	20	1660	3130	6	795		
LMFP40UU		40	0 -0.012	60	0 -0.019	80	96	13	13		78		9	14	8.6	20	2150	4010	6	1054			
LMFP50UU		50	80	100	116	13	13	98	9		14		8.6	20	3820	7930	6	2200					
LMFP60UU		60	0 -0.015	90	0 -0.022	110	134	18	18		112		11	17.5	10.8	25	4700	9990	6	2960			

- ★1 Dynamic load rating is based on the nominal life of 50km
In case of 100km, C on the table need to be divided by 1.26
Ex) 50km basic dynamic load rating(C) of LMFP12 = 410N
100km basic dynamic load rating(C₁₀₀) of LMFP12 = 410/1.26 = 325.40N
- ★2 Based on the weight of resin retainer
- ★3 Main unit : mm
- ★4 1N ≅ 0.102kgf

Asian Standard Linear Bushing (LM)

LMFP_L FLANGED LONG LINEAR BUSHING

● Drawing



● Part Number Notation

LMFP 20 L UU - A N S



- SAMICK Circular Flanged Linear Bushing
- Nominal Shaft Diameter
- Linear Bushing Long Type (for high load)
- Seal

Blank	No Seal
UU	Both Side Seal
U	One Side Seal

- Retainer (material)

Blank	Resin Retainer(Standard)
A	Steel Retainer(High temperature) ^{★1}

- Outer-sleeves (by corrosion resistance)

Blank	Standard(SUJ2)
N	Electroless nickel plating
R	Raydent treatment

- Ball type (material)

Blank	High carbon bearing steel ball(Standard)
S	Stainless steel ball

★1 Steel retainer applicable from LMFP6L to LMFP25L only

Asian Standard Linear Bushing (LM)

LMFP_L FLANGED LONG LINEAR BUSHING

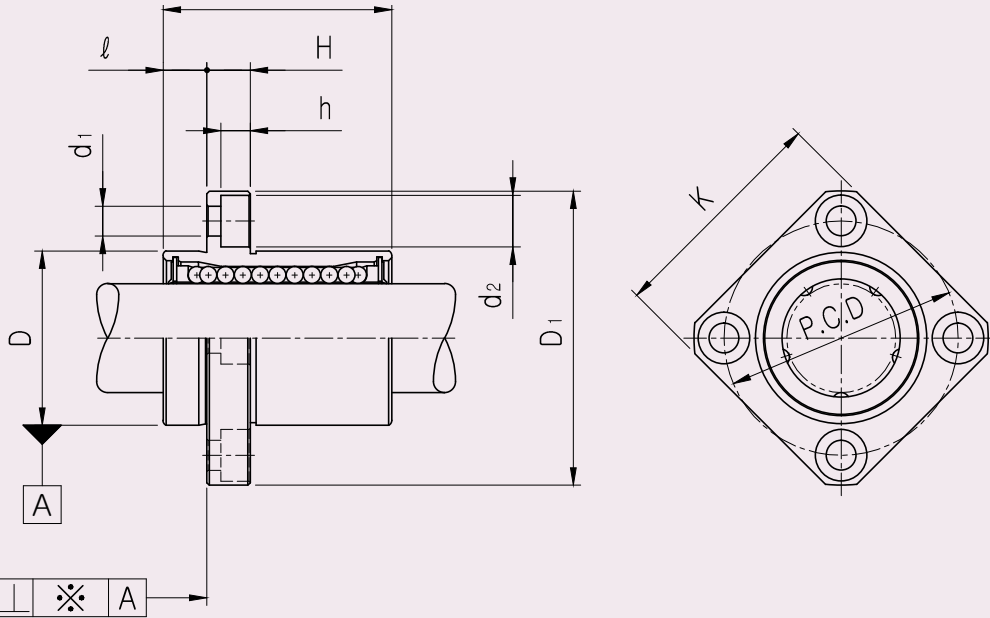
PART NUMBER		WORKING BORE DIAMETER		D		L		D ₁		ℓ	H	PCD	d ₁	d ₂	h	SQUAR ENESS *(μm)*	BASIC LOAD RATING(N)		NO. OF BALL ROW	WEIGHT (gf)*2			
Resin	Steel	dr. (mm)	CLEAR NCE (mm)	mm	CLEAR NCE (mm)	mm	CLEAR NCE (mm)	mm	CLEAR NCE (mm)							DYNAMIC (C)*1	STATIC (Co)						
LMFP6LUU	LMFP6L-A	6	0 -0.010	12	0	35	0 -0.3	28	0 -0.2	5	5	20	3.4	6.5	3.3	15	320	520	4	31			
LMFP8LUU	LMFP8L-A	8		15	-0.013	45		32		5	5	24	3.4	6.5	3.3	15	430	780	4	53			
LMFP10LUU	LMFP10L-A	10		19	55	40		6		6	29	4.5	8	4.4	15	580	1100	4	105				
LMFP12LUU	LMFP12L-A	12		21	0	57		42		6	6	32	4.5	8	4.4	15	650	1200	4	100			
LMFP13LUU	LMFP13L-A	13		23	-0.016	61		43		6	6	33	4.5	8	4.4	15	810	1570	4	130			
LMFP16LUU	LMFP16L-A	16		28	70	48		6		6	38	4.5	8	4.4	15	1230	2350	5	187				
LMFP20LUU	LMFP20L-A	20		32	80	54		8		8	43	5.5	9.5	5.4	20	1400	2750	5	260				
LMFP25LUU	LMFP25L-A	25		0 -0.012	40	0 -0.019		112		0 -0.4	62	0 -0.3	8	8	51	5.5	9.5	5.4	20	1560	3140	6	515
LMFP30LUU		30		45	123	74		10			10		60	6.6	11	6.5	20	2490	5490	6	655		
LMFP35LUU		35		52	135	82		10			10		67	6.6	11	6.5	25	2650	6470	6	970		
LMFP40LUU		40	0 -0.015	60	0 -0.022	154	96	13	13		78		9	14	8.6	25	3430	8040	6	1560			
LMFP50LUU		50	80	192	116	13	13	98	9		14		8.6	25	6080	15900	6	3500					
LMFP60LUU		60	0 -0.020	90	0 -0.025	211	134	18	18		112		11	17.5	10.8	30	7650	20000	6	4500			

- ★1 Dynamic load rating is based on the nominal life of 50km
 In case of 100km, C on the table need to be divided by 1.26
 Ex) 50km basic dynamic load rating(C) of LMFP12L = 650N
 100km basic dynamic load rating(C₁₀₀) of LMFP12L = 650/1.26 = 515.87N
- ★2 Based on the weight of resin retainer
- ★3 Main unit : mm
- ★4 1N ≒ 0.102kgf

Asian Standard Linear Bushing (LM)

LMKP FLANGED LINEAR BUSHING

● Drawing



● Part Number Notation

LMKP 20 UU - A N S



● SAMICK Square Pilot Flanged Linear Bushing

● Nominal Shaft Diameter

● Seal

Blank	No Seal
UU	Both Side Seal
U	One Side Seal

● Retainer (material)

Blank	Resin Retainer(Standard)
A	Steel Retainer(High temperature)*1

● Outer-sleeves (by corrosion resistance)

Blank	Standard(SUJ2)
N	Electroless nickel plating
R	Raydent treatment

● Ball type (material)

Blank	High carbon bearing steel ball(Standard)
S	Stainless steel ball

*1 Steel retainer applicable from LMKP6 to LMKP25 only

Asian Standard Linear Bushing (LM)

LMKP FLANGED LINEAR BUSHING

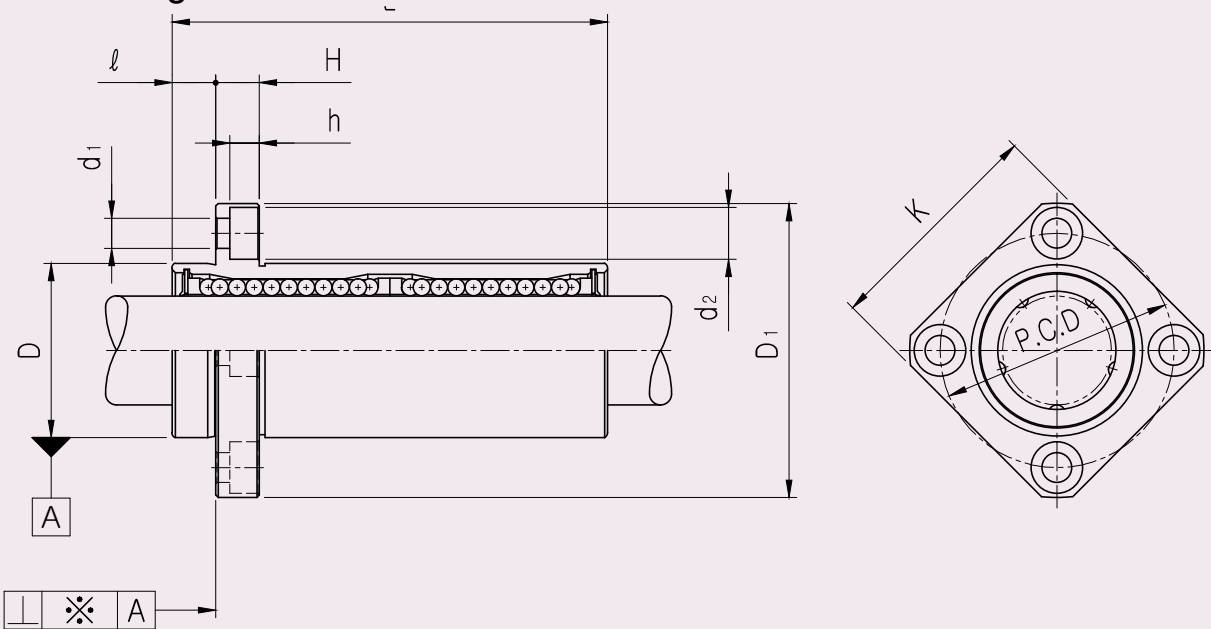
PART NUMBER		WORKING BORE DIAMETER		D		L		D ₁		ℓ	H	PCD	K	d ₁	d ₂	h	SQUAR ENESS *(μm)*	BASIC LOAD RATING(N)		NO. OF BALL ROW	WEIGHT (gf) ^{*2}
Resin	Steel	dr. (mm)	CLEAR NCE (mm)	mm	CLEAR NCE (mm)	mm	CLEAR NCE (mm)	mm	CLEAR NCE (mm)								DYNAMIC (C) ^{*1}	STATIC (Co)			
LMKP6UU	LMKP6-A	6		12	0	19		28		5	5	20	22	3.4	6.5	3.3	12	200	260	4	26.5
LMKP8UU	LMKP8-A	8		15	-0.011	24		32		5	5	24	25	3.4	6.5	3.3	12	260	400	4	40
LMKP10UU	LMKP10-A	10		19		29		40		6	6	29	30	4.5	8	4.4	12	370	540	4	76
LMKP12UU	LMKP12-A	12	0 -0.009	21	0	30	0 -0.2	42		6	6	32	32	4.5	8	4.4	12	410	590	4	78
LMKP13UU	LMKP13-A	13		23	-0.013	32		43	0 -0.2	6	6	33	34	4.5	8	4.4	12	500	770	4	94
LMKP16UU	LMKP16-A	16		28		37		48		6	6	38	37	4.5	8	4.4	12	770	1170	5	134
LMKP20UU	LMKP20-A	20		32		42		54		8	8	43	42	5.5	9.5	5.4	15	860	1370	5	180
LMKP25UU	LMKP25-A	25	0 -0.010	40	0 -0.016	59		62		8	8	51	50	5.5	9.5	5.4	15	980	1560	6	340
LMKP30UU		30		45		64		74		10	10	60	58	6.6	11	6.5	15	1560	2740	6	460
LMKP35UU		35		52		70	0 -0.3	82		10	10	67	64	6.6	11	6.5	20	1660	3130	6	795
LMKP40UU		40	0 -0.012	60	0 -0.019	80		96		13	13	78	75	9	14	8.6	20	2150	4010	6	1054
LMKP50UU		50		80		100		116	0 -0.3	13	13	98	92	9	14	8.6	20	3820	7930	6	2200
LMKP60UU		60	0 -0.015	90	0 -0.022	110		134		18	18	112	106	11	17.5	10.8	25	4700	9990	6	2960

- ★1 Dynamic load rating is based on the nominal life of 50km
 In case of 100km, C on the table need to be divided by 1.26
 Ex) 50km basic dynamic load rating(C) of LMKP12 = 410N
 100km basic dynamic load rating(C₁₀₀) of LMKP12 = 410/1.26 = 325.40N
- ★2 Based on the weight of resin retainer
- ★3 Main unit : mm
- ★4 1N ≅ 0.102kgf

Asian Standard Linear Bushing (LM)

LMKP_L FLANGED LONG LINEAR BUSHING

● Drawing



● Part Number Notation

LMKP 20 L UU - A N S

- SAMICK Square Flanged Linear Bushing
- Nominal Shaft Diameter
- Linear Bushing Long Type (for high load)
- Seal

Blank	No Seal
UU	Both Side Seal
U	One Side Seal

- Retainer (material)

Blank	Resin Retainer(Standard)
A	Steel Retainer(High temperature) ^{★1}

- Outer-sleeves (by corrosion resistance)

Blank	Standard(SUJ2)
N	Electroless nickel plating
R	Raydent treatment

- Ball type (material)

Blank	High carbon bearing steel ball(Standard)
S	Stainless steel ball



★1 Steel retainer applicable from LMKP6L to LMKP25L only

Asian Standard Linear Bushing (LM)

LMKP_L FLANGED LONG LINEAR BUSHING

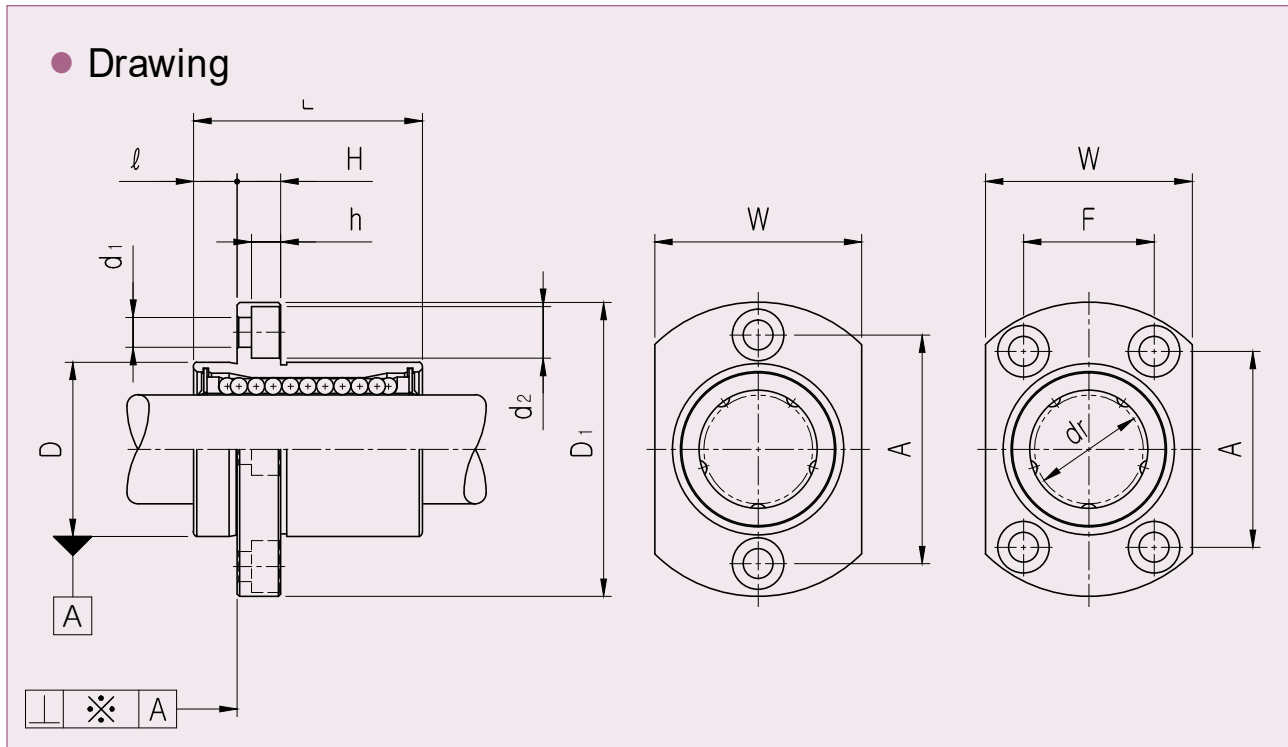
PART NUMBER		WORKING BORE DIAMETER		D		L		D ₁		ℓ	H	PCD	K	d ₁	d ₂	h	SQUAR ENESS ※(μm)*	BASIC LOAD RATING(N)		NO. OF BALL ROW	WEIGHT (gf) ^{*2}			
Resin	Steel	dr. (mm)	CLEAR NCE (mm)	mm	CLEAR NCE (mm)	mm	CLEAR NCE (mm)	mm	CLEAR NCE (mm)								DYNAMIC (C) ^{*1}	STATIC (Co)						
LMKP6LUU	LMKP6L-A	6	0 -0.010	12	0	35	0 -0.3	28	0 -0.2	5	5	20	22	3.4	6.5	3.3	15	320	520	4	31			
LMKP8LUU	LMKP8L-A	8		15	-0.013	45		32		5	5	24	25	3.4	6.5	3.3	15	430	780	4	53			
LMKP10LUU	LMKP10L-A	10		19	55	40		6		6	29	30	4.5	8	4.4	15	580	1100	4	105				
LMKP12LUU	LMKP12L-A	12		21	0	57		42		6	6	32	32	4.5	8	4.4	15	650	1200	4	100			
LMKP13LUU	LMKP13L-A	13		23	-0.016	61		43		6	6	33	34	4.5	8	4.4	15	810	1570	4	130			
LMKP16LUU	LMKP16L-A	16		28	70	48		6		6	38	37	4.5	8	4.4	15	1230	2350	5	187				
LMKP20LUU	LMKP20L-A	20		32	80	54		8		8	43	42	5.5	9.5	5.4	20	1400	2750	5	260				
LMKP25LUU	LMKP25L-A	25		0 -0.012	40	0 -0.019		112		0 -0.4	62	0 -0.3	8	8	51	50	5.5	9.5	5.4	20	1560	3140	6	515
LMKP30LUU		30		45	123	74		10			10		60	58	6.6	11	6.5	20	2490	5490	6	655		
LMKP35LUU		35		52	135	82		10			10		67	64	6.6	11	6.5	25	2650	6470	6	970		
LMKP40LUU		40	0 -0.015	60	0 -0.022	154	96	13	13		78		75	9	14	8.6	25	3430	8040	6	1560			
LMKP50LUU		50	80	192	116	13	13	98	92		9		14	8.6	25	6080	15900	6	3500					
LMKP60LUU		60	0 -0.020	90	0 -0.025	211	134	18	18		112		106	11	17.5	10.8	30	7650	20000	6	4500			

- ★1 Dynamic load rating is based on the nominal life of 50km
In case of 100km, C on the table need to be divided by 1.26
Ex) 50km basic dynamic load rating(C) of LMKP12L = 650N
100km basic dynamic load rating(C₁₀₀) of LMKP12L = 650/1.26 = 515.87N
- ★2 Based on the weight of resin retainer
- ★3 Main unit : mm
- ★4 1N ≒ 0.102kgf

Asian Standard Linear Bushing (LM)

LMHP FLANGED LINEAR BUSHING

● Drawing



● Part Number Notation

LMHP 20 UU - A N S



- SAMICK Oval Pilot Flanged Linear Bushing
- Nominal Shaft Diameter
- Seal

Blank	No Seal
UU	Both Side Seal
U	One Side Seal

- Retainer (material)

Blank	Resin Retainer(Standard)
A	Steel Retainer(High temperature)*1

- Outer-sleeves (by corrosion resistance)

Blank	Standard(SUJ2)
N	Electroless nickel plating
R	Raydent treatment

- Ball type (material)

Blank	High carbon bearing steel ball(Standard)
S	Stainless steel ball

*1 Steel retainer applicable from LMHP6 to LMHP25 only

Asian Standard Linear Bushing (LM)

LMHP FLANGED LINEAR BUSHING

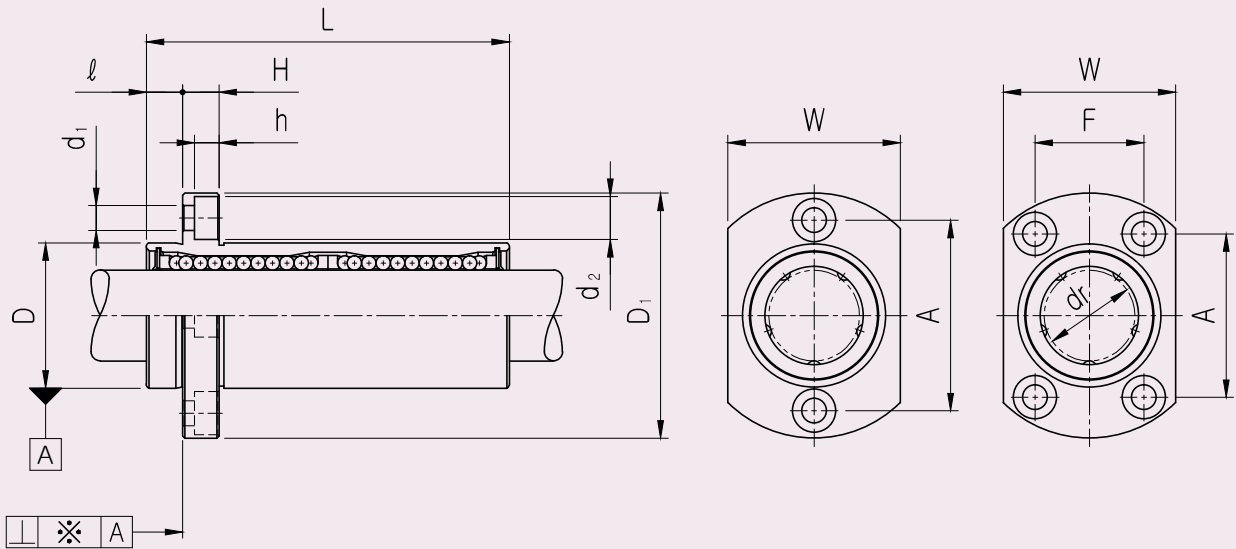
PART NUMBER		WORKING BORE DIAMETER		D		L		D ₁		∅	H	W	A	F	d ₁	d ₂	h	SQUAR ENESS ※(μm)*	BASIC LOAD RATING(N)		NO. OF BALL ROW	WEIGHT (gf) ^{*2}			
Resin	Steel	dr. (mm)	CLEAR NCE (mm)	mm	CLEAR NCE (mm)	mm	CLEAR NCE (mm)	mm	CLEAR NCE (mm)									DYNAMIC (C) ^{*1}	STATIC (Co)						
LMHP6UU	LMHP6-A	6	0 -0.009	12	0 -0.011	19	0 -0.2	28	0 -0.2	5	5	18	20		3.4	6.5	3.3	12	200	260	4	26.5			
LMHP8UU	LMHP8-A	8		15		24		32		5	5	21	24		3.4	6.5	3.3	12	260	400	4	40			
LMHP10UU	LMHP10-A	10		19	29	40		6		6	25	29		4.5	8	4.4	12	370	540	4	76				
LMHP12UU	LMHP12-A	12		21	0 -0.013	30		0 -0.2		42	0 -0.2	6	6	27	32		4.5	8	4.4	12	410	590	4	78	
LMHP13UU	LMHP13-A	13		23		32				43		6	6	29	33		4.5	8	4.4	12	500	770	4	94	
LMHP16UU	LMHP16-A	16		28	37	48		6		6	34	31	22	4.5	8	4.4	12	770	1170	5	134				
LMHP20UU	LMHP20-A	20		32	42	54		8		8	38	36	24	5.5	9.5	5.4	15	860	1370	5	180				
LMHP25UU	LMHP25-A	25		0 -0.010	40	0 -0.016		59		0 -0.3	62	0 -0.3	8	8	46	40	32	5.5	9.5	5.4	15	980	1560	6	340
LMHP30UU		30			45			64			74		10	10	51	49	35	6.6	11	6.5	15	1560	2740	6	460

- ★1 Dynamic load rating is based on the nominal life of 50km
 In case of 100km, C on the table need to be divided by 1.26
 Ex) 50km basic dynamic load rating(C) of LMHP12 = 410N
 100km basic dynamic load rating(C₁₀₀) of LMHP12 = 410/1.26 = 325.40N
- ★2 Based on the weight of resin retainer
- ★3 Main unit : mm
- ★4 1N ≒ 0.102kgf

Asian Standard Linear Bushing (LM)

LMHP_L FLANGED LONG LINEAR BUSHING

● Drawing



● Part Number Notation

LMHP 20 L UU - A N S



- SAMICK Oval Flanged Linear Bushing
- Nominal Shaft Diameter
- Linear Bushing Long Type (for high load)
- Seal

Blank	No Seal
UU	Both Side Seal
U	One Side Seal

- Retainer (material)

Blank	Resin Retainer(Standard)
A	Steel Retainer(High temperature) ^{★1}

- Outer-sleeves (by corrosion resistance)

Blank	Standard(SUJ2)
N	Electroless nickel plating
R	Raydent treatment

- Ball type (material)

Blank	High carbon bearing steel ball(Standard)
S	Stainless steel ball

★1 Steel retainer applicable from LMHP6L to LMHP25L only

Asian Standard Linear Bushing (LM)

LMHP_L FLANGED LONG LINEAR BUSHING

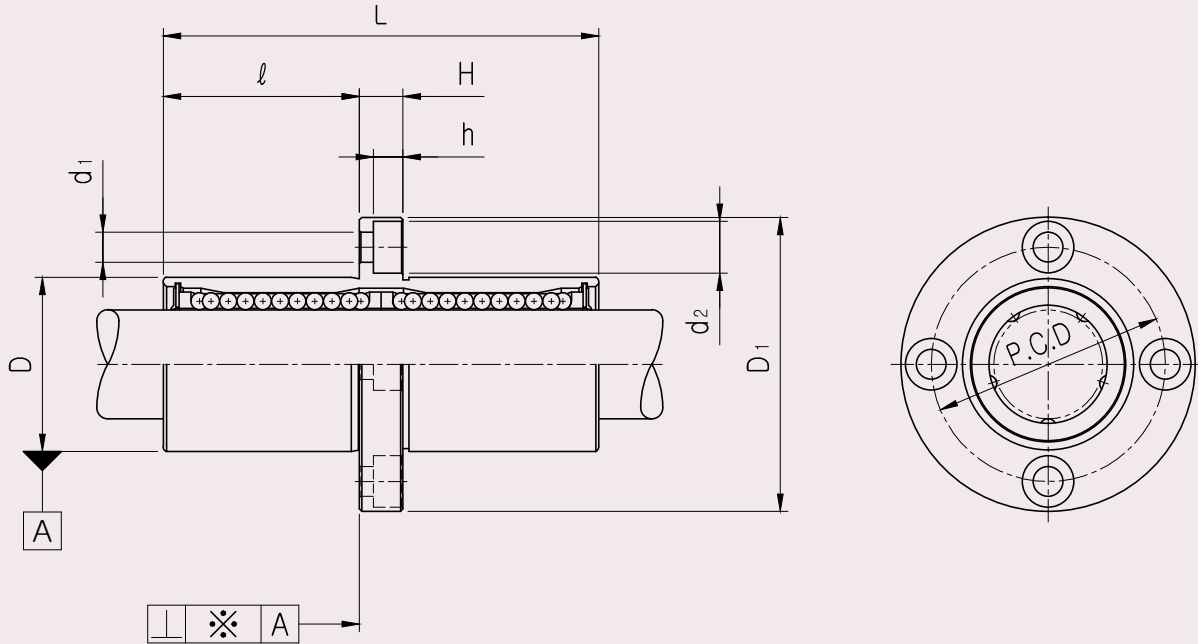
PART NUMBER		WORKING BORE DIAMETER		D		L		D ₁		ℓ	H	W	A	F	d ₁	d ₂	h	SQUAR ENESS *(μm)*	BASIC LOAD RATING(N)		NO. OF BALL ROW	WEIGHT (gf) ^{*2}
Resin	Steel	dr. (mm)	CLEAR NCE (mm)	mm	CLEAR NCE (mm)	mm	CLEAR NCE (mm)	mm	CLEAR NCE (mm)									DYNAMIC (C) ^{*1}	STATIC (Co)			
LMHP6LUU	LMHP6L-A	6	0 -0.010	12	0	35	0 -0.3	28	0 -0.2	5	5	18	20		3.4	6.5	3.3	15	320	520	4	31
LMHP8LUU	LMHP8L-A	8		15	-0.013	45		32		5	5	21	24		3.4	6.5	3.3	15	430	780	4	53
LMHP10LUU	LMHP10L-A	10		19		55		40		6	6	25	29		4.5	8	4.4	15	580	1100	4	105
LMHP12LUU	LMHP12L-A	12		21	0	57		42		6	6	27	32		4.5	8	4.4	15	650	1200	4	100
LMHP13LUU	LMHP13L-A	13		23	-0.016	61		43		6	6	29	33		4.5	8	4.4	15	810	1570	4	130
LMHP16LUU	LMHP16L-A	16		28		70		48		6	6	34	31	22	4.5	8	4.4	15	1230	2350	5	187
LMHP20LUU	LMHP20L-A	20		32		80		54		8	8	38	36	24	5.5	9.5	5.4	20	1400	2750	5	260
LMHP25LUU	LMHP25L-A	25	0 -0.012	40	0	112	0 -0.4	62		8	8	46	40	32	5.5	9.5	5.4	20	1560	3140	6	515
LMHP30LUU		30		45		123		74		10	10	51	49	35	6.6	11	6.5	20	2940	5490	6	655

- ★1 Dynamic load rating is based on the nominal life of 50km
 In case of 100km, C on the table need to be divided by 1.26
 Ex) 50km basic dynamic load rating(C) of LMHP12L = 650N
 100km basic dynamic load rating(C₁₀₀) of LMHP12L = 650/1.26 = 515.87N
- ★2 Based on the weight of resin retainer
- ★3 Main unit : mm
- ★4 1N ≙ 0.102kgf

Asian Standard Linear Bushing (LM)

LMFM FLANGED LONG LINEAR BUSHING

● Drawing



● Part Number Notation

LMFM 20 UU - A N S



● SAMICK Circular Middle Flanged Linear Bushing

● Nominal Shaft Diameter

● Linear Bushing Long Type (for high load)

Blank	No Seal
UU	Both Side Seal
U	One Side Seal

● Retainer (material)

Blank	Resin Retainer(Standard)
A	Steel Retainer(High temperature) *1

● Outer-sleeves (by corrosion resistance)

Blank	Standard(SUJ2)
N	Electroless nickel plating
R	Raydent treatment

● Ball type (material)

Blank	High carbon bearing steel ball(Standard)
S	Stainless steel ball

*1 Steel retainer applicable from LMFM6 to LMFM25 only

Asian Standard Linear Bushing (LM)

LMFM FLANGED LONG LINEAR BUSHING

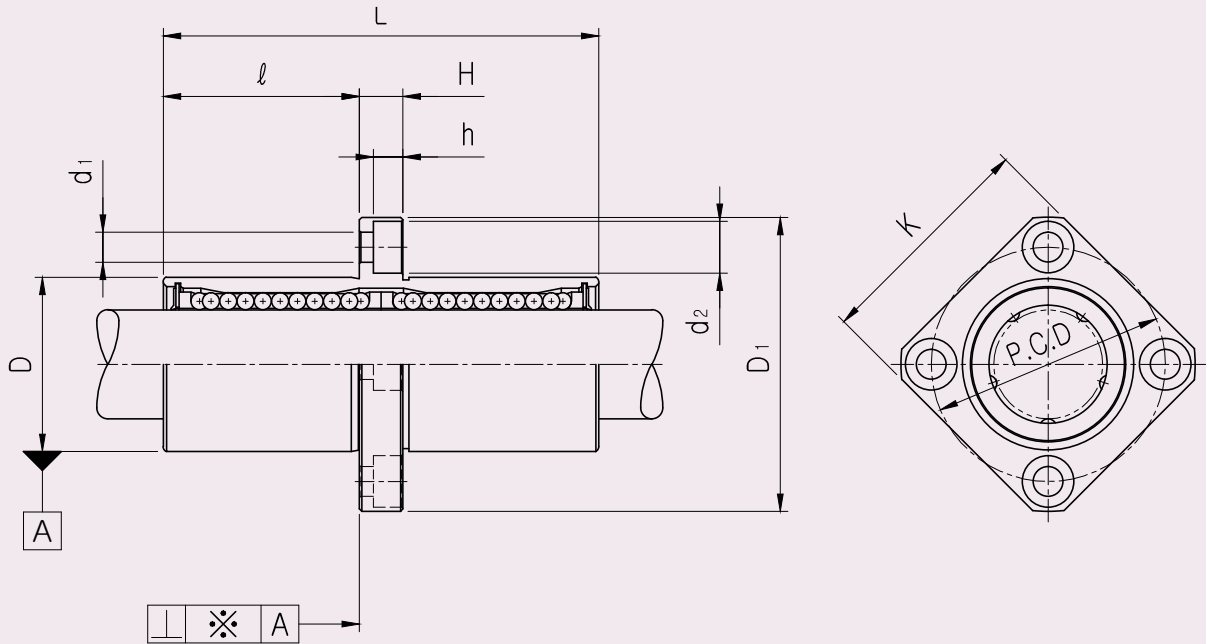
PART NUMBER		WORKING BORE DIAMETER		D		L		D ₁		ℓ	H	PCD	d ₁	d ₂	h	SQUARENESS *(μm)*	BASIC LOAD RATING(N)		NO. OF BALL ROW	WEIGHT (gf)*2
Resin	Steel	dr. (mm)	CLEAR NCE (mm)	mm	CLEAR NCE (mm)	mm	CLEAR NCE (mm)	mm	CLEAR NCE (mm)							DYNAMIC (C)*1	STATIC (Co)			
LMFM6UU	LMFM6-A	6		12	0	35		28		15	5	20	3.4	6.5	3.3	15	320	520	4	31
LMFM8UU	LMFM8-A	8		15	-0.013	45		32		20	5	24	3.4	6.5	3.3	15	430	780	4	53
LMFM10UU	LMFM10-A	10		19		55		40		24.5	6	29	4.5	8	4.4	15	580	1100	4	105
LMFM12UU	LMFM12-A	12	0 -0.010	21	0	57	0 -0.3	42		25.5	6	32	4.5	8	4.4	15	650	1200	4	100
LMFM13UU	LMFM13-A	13		23	-0.016	61		43		27.5	6	33	4.5	8	4.4	15	810	1570	4	130
LMFM16UU	LMFM16-A	16		28		70		48	0 -0.2	32	6	38	4.5	8	4.4	15	1230	2350	5	187
LMFM20UU	LMFM20-A	20		32		80		54		36	8	43	5.5	9.5	5.4	20	1400	2750	5	260
LMFM25UU	LMFM25-A	25	0 -0.012	40	0 -0.019	112		62		52	8	51	5.5	9.5	5.4	20	1560	3140	6	515
LMFM30UU		30		45		123		74		56.5	10	60	6.6	11	6.5	20	2490	5490	6	655
LMFM35UU		35		52		135		82		62.5	10	67	6.6	11	6.5	25	2650	6470	6	970
LMFM40UU		40	0 -0.015	60	0 -0.022	154	0 -0.4	96		70.5	13	78	9	14	8.6	25	3430	8040	6	1560
LMFM50UU		50		80		192		116	0 -0.3	89.5	13	98	9	14	8.6	25	6080	15900	6	3500
LMFM60UU		60	0 -0.020	90	0 -0.025	211		134		96.5	18	112	11	17.5	10.8	30	7650	20000	6	4500

- ★1 Dynamic load rating is based on the nominal life of 50km
In case of 100km, C on the table need to be divided by 1.26
Ex) 50km basic dynamic load rating(C) of LMFM12 = 650N
100km basic dynamic load rating(C₁₀₀) of LMFM12 = 650/1.26 = 515.87N
- ★2 Based on the weight of resin retainer
- ★3 Main unit : mm
- ★4 1N ≙ 0.102kgf

Asian Standard Linear Bushing (LM)

LMKM FLANGED LONG LINEAR BUSHING

● Drawing



● Part Number Notation

LMKM 20 UU - A N S



● SAMICK Square Middle Flanged Linear Bushing

● Nominal Shaft Diameter

● Linear Bushing Long Type (for high load)

Blank	No Seal
UU	Both Side Seal
U	One Side Seal

● Retainer (material)

Blank	Resin Retainer(Standard)
A	Steel Retainer(High temperature) ^{★1}

● Outer-sleeves (by corrosion resistance)

Blank	Standard(SUJ2)
N	Electroless nickel plating
R	Raydent treatment

● Ball type (material)

Blank	High carbon bearing steel ball(Standard)
S	Stainless steel ball

★1 Steel retainer applicable from LMKM6 to LMKM25 only

Asian Standard Linear Bushing (LM)

LMKM FLANGED LONG LINEAR BUSHING

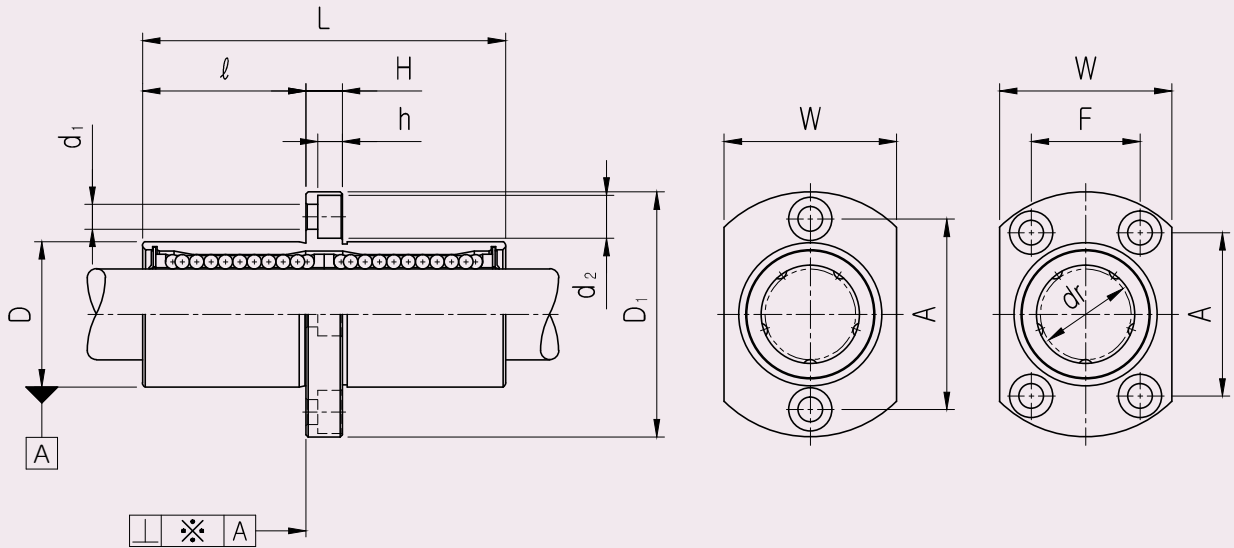
PART NUMBER		WORKING BORE DIAMETER		D		L		D ₁		∅	H	PCD	K	d ₁	d ₂	h	SQUAR ENESS *(µm)*	BASIC LOAD RATING(N)		NO. OF BALL ROW	WEIGHT (gf)*2			
Resin	Steel	dr. (mm)	CLEAR NCE (mm)	mm	CLEAR NCE (mm)	mm	CLEAR NCE (mm)	mm	CLEAR NCE (mm)								DYNAMIC (C)*1	STATIC (Co)						
LMKM6UU	LMKM6-A	6	0 -0.010	12	0	35	0 -0.3	28	0 -0.2	15	5	20	22	3.4	6.5	3.3	15	320	520	4	31			
LMKM8UU	LMKM8-A	8		15	-0.013	45		32		20	5	24	25	3.4	6.5	3.3	15	430	780	4	53			
LMKM10UU	LMKM10-A	10		19	55	40		24.5		6	29	30	4.5	8	4.4	15	580	1100	4	105				
LMKM12UU	LMKM12-A	12		21	57	42		25.5		6	32	32	4.5	8	4.4	15	650	1200	4	100				
LMKM13UU	LMKM13-A	13		23	61	43		27.5		6	33	34	4.5	8	4.4	15	810	1570	4	130				
LMKM16UU	LMKM16-A	16		28	70	48		32		6	38	37	4.5	8	4.4	15	1230	2350	5	187				
LMKM20UU	LMKM20-A	20		32	80	54		36		8	43	42	5.5	9.5	5.4	20	1400	2750	5	260				
LMKM25UU	LMKM25-A	25		0 -0.012	40	0 -0.019		112		0 -0.4	62	0 -0.3	52	8	51	50	5.5	9.5	5.4	20	1560	3140	6	515
LMKM30UU		30		45	123	74		56.5			10		60	58	6.6	11	6.5	20	2490	5490	6	655		
LMKM35UU		35		52	135	82		62.5			10		67	64	6.6	11	6.5	25	2650	6470	6	970		
LMKM40UU		40	0 -0.015	60	0 -0.022	154	96	70.5	13		78		75	9	14	8.6	25	3430	8040	6	1560			
LMKM50UU		50	80	192	116	89.5	13	98	92		9		14	8.6	25	6080	15900	6	3500					
LMKM60UU		60	0 -0.020	90	0 -0.025	211	134	96.5	18		112		106	11	17.5	10.8	30	7650	20000	6	4500			

- ★1 Dynamic load rating is based on the nominal life of 50km
 In case of 100km, C on the table need to be divided by 1.26
 Ex) 50km basic dynamic load rating(C) of LMKM12 = 650N
 100km basic dynamic load rating(C₁₀₀) of LMKM12 = 650/1.26 = 515.87N
- ★2 Based on the weight of resin retainer
- ★3 Main unit : mm
- ★4 1N ≅ 0.102kgf

Asian Standard Linear Bushing (LM)

LMHM FLANGED LONG LINEAR BUSHING

● Drawing



● Part Number Notation

LMHM 20 UU - A N S



● SAMICK Oval Middle Flanged Linear Bushing

● Nominal Shaft Diameter

● Linear Bushing Long Type (for high load)

Blank	No Seal
UU	Both Side Seal
U	One Side Seal

● Retainer (material)

Blank	Resin Retainer(Standard)
A	Steel Retainer(High temperature) ^{★1}

● Outer-sleeves (by corrosion resistance)

Blank	Standard(SUJ2)
N	Electroless nickel plating
R	Raydent treatment

● Ball type (material)

Blank	High carbon bearing steel ball(Standard)
S	Stainless steel ball

★1 Steel retainer applicable from LMHM6 to LMHM25 only

Asian Standard Linear Bushing (LM)

LMHM FLANGED LONG LINEAR BUSHING

PART NUMBER		WORKING BORE DIAMETER		D		L		D ₁		ℓ	H	W	A	F	d ₁	d ₂	h	SQUARENESSE *(μm)*	BASIC LOAD RATING(N)		NO. OF BALL ROW	WEIGHT (gf)*2		
Resin	Steel	dr. (mm)	CLEAR NCE (mm)	mm	CLEAR NCE (mm)	mm	CLEAR NCE (mm)	mm	CLEAR NCE (mm)									DYNAMIC (C)*1	STATIC (Co)					
LMHM6UU	LMHM6-A	6	0 -0.010	12	0	35	0 -0.3	28	0 -0.2	15	5	18	20		3.4	6.5	3.3	15	320	520	4	31		
LMHM8UU	LMHM8-A	8		15	-0.013	45		32		20	5	21	24		3.4	6.5	3.3	15	430	780	4	53		
LMHM10UU	LMHM10-A	10		19		55		40		24.5	6	25	29		4.5	8	4.4	15	580	1100	4	105		
LMHM12UU	LMHM12-A	12		21	0	57		42		25.5	6	27	32		4.5	8	4.4	15	650	1200	4	100		
LMHM13UU	LMHM13-A	13		23	-0.016	61		43		27.5	6	29	33		4.5	8	4.4	15	810	1570	4	130		
LMHM16UU	LMHM16-A	16		28		70		48		32	6	34	31	22	4.5	8	4.4	15	1230	2350	5	187		
LMHM20UU	LMHM20-A	20		32		80		54		36	8	38	36	24	5.5	9.5	5.4	20	1400	2750	5	260		
LMHM25UU	LMHM25-A	25		0 -0.012	40	0 -0.019		112		0	62	52	8	46	40	32	5.5	9.5	5.4	20	1560	3140	6	515
LMHM30UU		30		45		123		74		56.5	10	51	49	35	6.6	11	6.5	20	2490	5490	6	655		

- ★1 Dynamic load rating is based on the nominal life of 50km
In case of 100km, C on the table need to be divided by 1.26
Ex) 50km basic dynamic load rating(C) of LMHM12 = 650N
100km basic dynamic load rating(C₁₀₀) of LMHM12 = 650/1.26 = 515.87N
- ★2 Based on the weight of resin retainer
- ★3 Main unit : mm
- ★4 1N ≙ 0.102kgf